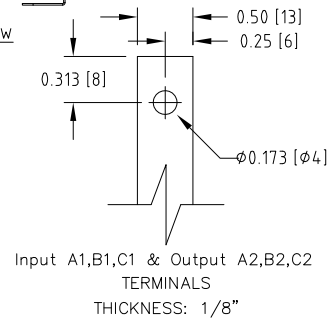
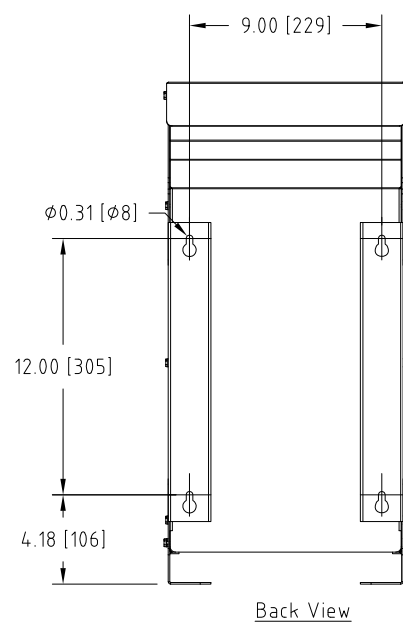
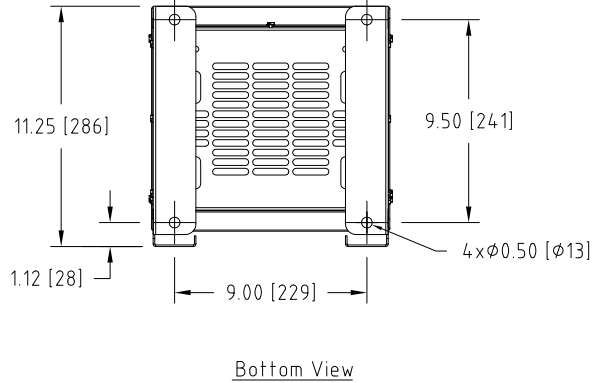
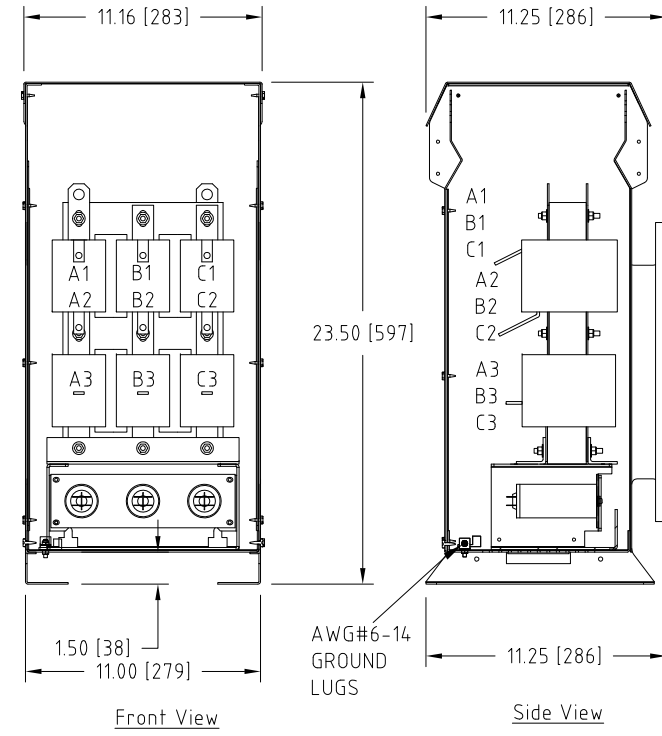
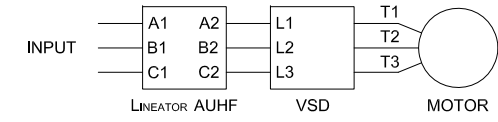


Rev. No.	Revision Note	Date	By	Checked
A1	Brackets Revised	04-FEB-14	AH	YM

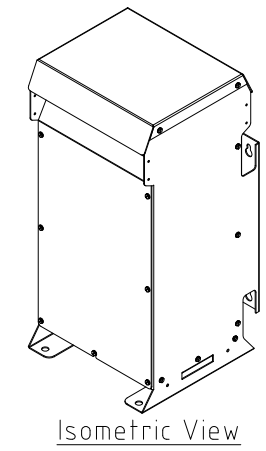


### Connection Diagram



UNIT SPECIFICATIONS			INPUT	OUTPUT	APPROX. WT,
HP (kW)	PHASE	VOLTS	AMPS	kW	lb (kg)
10 (7.5)	3	600	10	8.5	88 (40)

- NOTES:
- Customer is responsible for installation to meet all national and local electrical codes and other applicable electrical safety authorities.
  - Type 3R Enclosure requires only front access but minimum 6" clearance should be provided at rear for proper ventilation..



**MIRUS International Inc.** 31 Sun Pac Boulevard, Brampton, ON, Canada L6S 5P6  
 Tel:(905) 494-1120 Fax: (905) 494-1140 Toll Free: 1-888-TO MIRUS

Unless otherwise specified, dimensions are in inches and [mm].	Drawn by WXY	Date 22-OCT-09	Checked by YM	Approved by - date YM - 22-OCT-09	Scale NTS
The information contained herein is the sole property of MIRUS International Inc. Any form of reproduction, distribution and/or disclosure of this information, all or in part, is strictly prohibited without the express written consent of MIRUS International Inc.		Title 10HP, 600V, 60Hz Lineator AUHF (Type 3R)			
		Filename AUHF-10-600-60-D-E1-A1	Revision A1	Sheet 1/1	