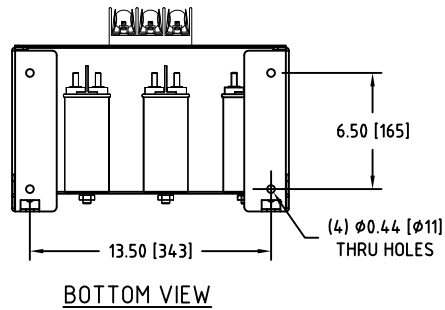
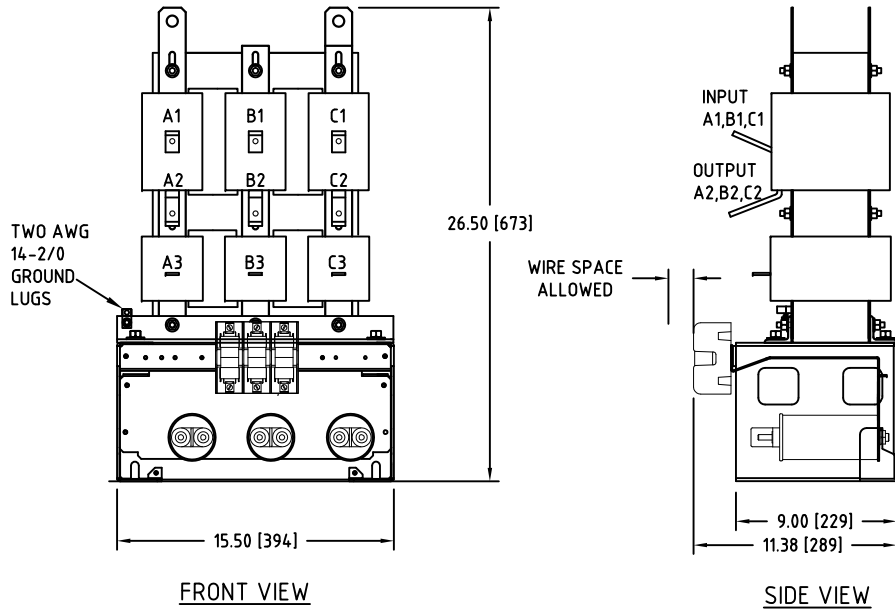
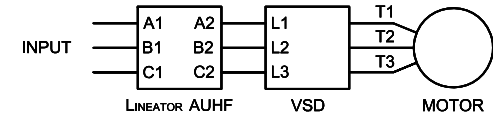


Rev. No.	Revision Note	Date	By	Checked
A16	REVISED CAPACITORS	19-NOV-14	AH	YM
A17	REVISED TO PRESSURE PLATE STYLE	29-MAR-2018	CG	BDK



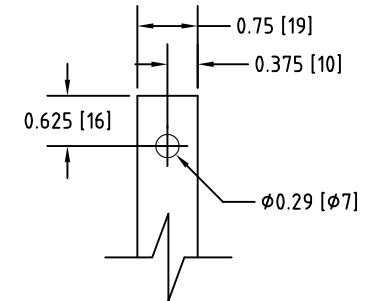
Connection Diagram



UNIT SPECIFICATIONS				INPUT	OUTPUT	APPROX. WT
HP [kW]	PHASE	VOLTS	Hz	AMPS	kW	lb [kg]
100 [75]	3	480	60	113	84	267 [121]

NOTES:

- CUSTOMER IS RESPONSIBLE FOR INSTALLATION TO MEET ALL NATIONAL AND LOCAL ELECTRICAL CODES AND OTHER APPLICABLE ELECTRICAL SAFETY AUTHORITIES.
- CUSTOMER IS RESPONSIBLE FOR PROPER COOLING OF FILTER COMPONENTS. ALLOWED AMBIENT: MAXIMUM 60°C, MINIMUM -40°C. A MINIMUM CLEARANCE OF 2" MUST BE ALLOWED ON BOTH RIGHT AND LEFT SIDES. PROPER VENTILATION MUST ENSURE THAT SUPPLY AIR FLOWS THROUGH THE REACTOR COILS FROM BELOW THE UNIT.



INPUT A1,B1,C1 & OUTPUT A2,B2,C2
TERMINALS
THICKNESS 3/16"

MIRUS International Inc.						31 Sun Pac Boulevard, Brampton, ON, Canada L6S 5P6 Tel:(905) 494-1120 Fax: (905) 494-1140 Toll Free: 1-888-TO MIRUS		
Unless otherwise specified, dimensions are in inches and [mm].	Drawn By EH	Date Created 02-Jun-06	Checked by YM	Approved by - date YM-02-Jun-06	Scale NTS	Title 100 HP, 480 V, 60 Hz LINEATOR™ AUHF (Open Style)		
The information contained herein is the sole property of MIRUS International Inc. Any form of reproduction, distribution and/or disclosure of this information, all or in part, is strictly prohibited without the express written consent of MIRUS International Inc.						Filename AUHF-100-480-60-D-E0-A17	Revision A17	Sheet 1/1