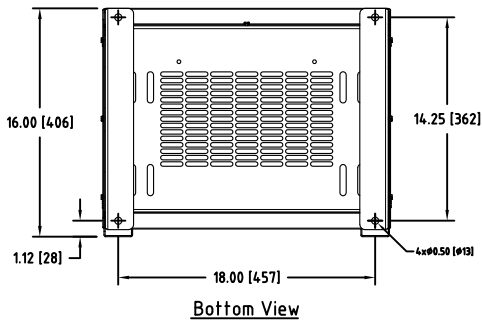
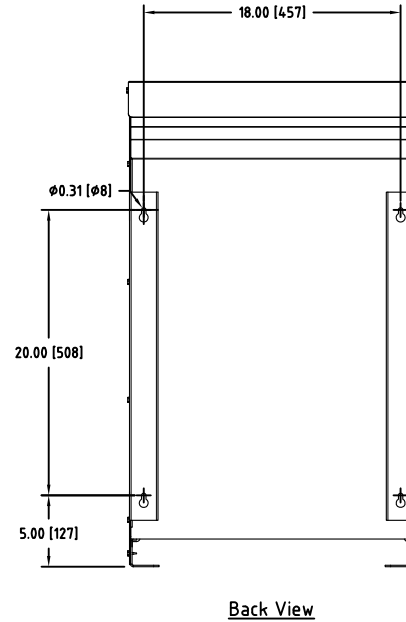
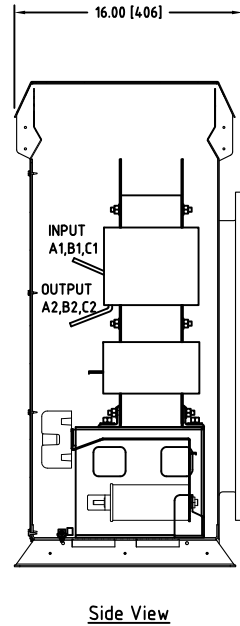
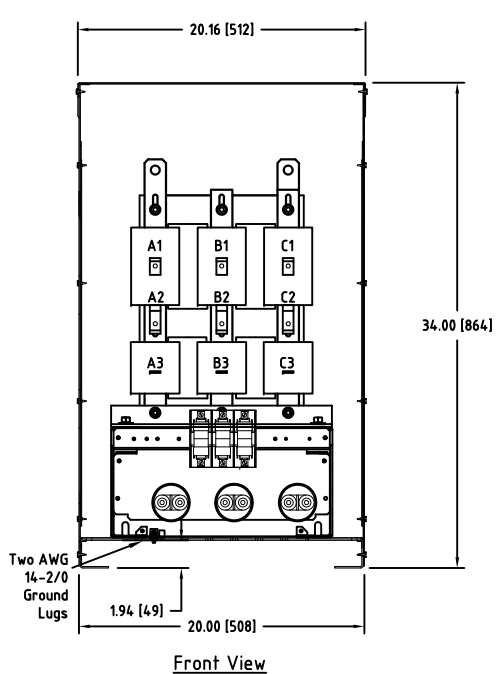


Rev. No.	Revision Note	Date	By	Checked
A16	REVISED CAPACITORS	19-NOV-14	AH	YM
A17	REVISED TO PRESSURE PLATE STYLE	29-MAR-2018	CG	BDK

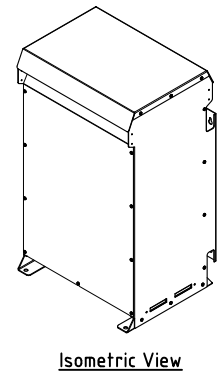
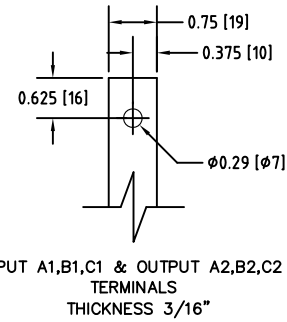


### Connection Diagram

UNIT SPECIFICATIONS				INPUT	OUTPUT	APPROX. WT
HP [kW]	PHASE	VOLTS	Hz	AMPS	kW	lb [kg]
100 [75]	3	480	60	113	84	323 [147]

NOTES:

- Customer is responsible for installation to meet all national and local electrical codes and other applicable electrical safety authorities.
- Type 3R Enclosure requires only front access but minimum 6" clearance should be provided at rear for proper ventilation..



<b>MIRUS International Inc.</b>		31 Sun Pac Boulevard, Brampton, ON, Canada L6S 5P6 Tel: (905) 494-1120 Fax: (905) 494-1140 Toll Free: 1-888-TO MIRUS			
Unless otherwise specified, dimensions are in inches and [mm].	Drawn By EH	Date Created 02-Jun-06	Checked by YM	Approved by - date YM-02-Jun-06	Scale NTS
The information contained herein is the sole property of MIRUS International Inc. Any form of reproduction, distribution and/or disclosure of this information, all or in part, is strictly prohibited without the express written consent of MIRUS International Inc.		Title 100 HP, 480 V, 60 Hz LINEATOR™ AUHF (Type-3R)			
		Filename AUHF-100-480-60-D-E1-A17	Revision A17	Sheet 1/1	