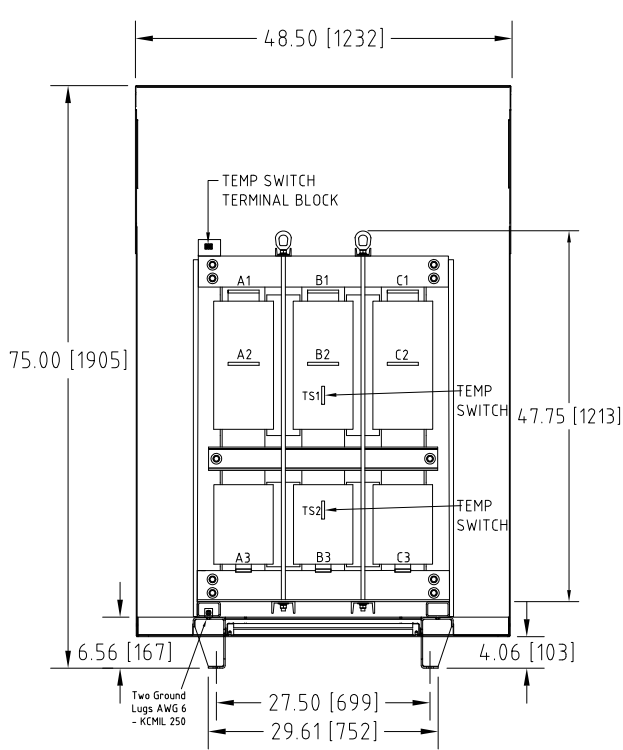
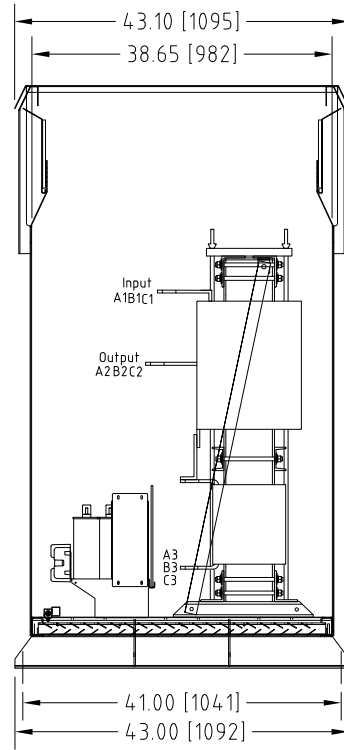


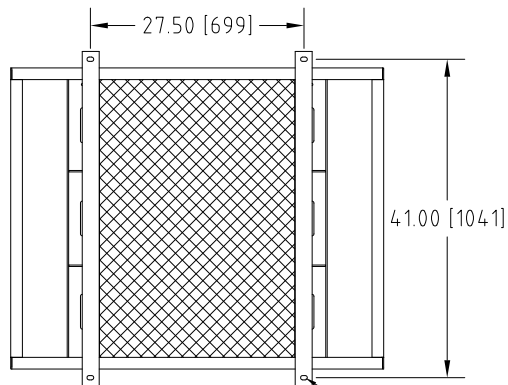
Rev. No.	Revision Note	Date	By	Checked
A7	Revised Capacitor Board	20-JAN-13	AH	YM
A8	UPDATED REACTOR BRACKETS	07-OCT-15	CG	AH



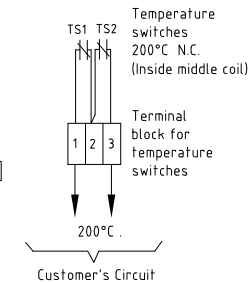
Front View



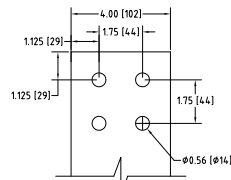
Side View



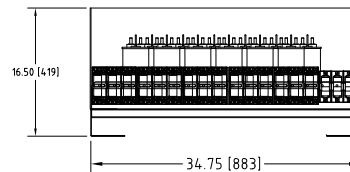
Bottom View



TEMPERATURE SWITCH Connection Diagram

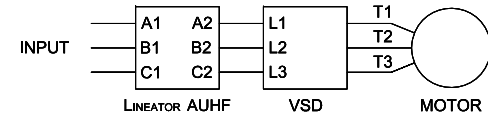


Input A1,B1,C1 & Output A2,B2,C2 TERMINALS THICKNESS 3/8"



Capacitor Board

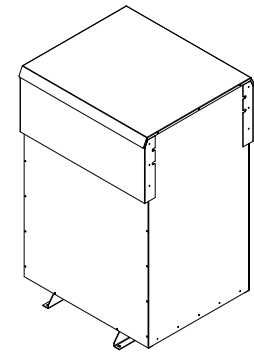
Connection Diagram



UNIT SPECIFICATIONS				INPUT	OUTPUT	APPROX. WT
HP [kW]	PHASE	VOLTS	Hz	AMPS	kW	lb [kg]
1200 [900]	3	480	60	1330	987	2958 [1245]

NOTES:

- Customer is responsible for installation to meet all national and local electrical codes and other applicable electrical safety authorities.
- Type 3R Enhanced enclosure suitable for outdoor installation. Only front access is required but minimum 6" clearance should be provided at rear for proper ventilation.



Isometric View

MIRUS International Inc.

31 Sun Pac Boulevard, Brampton, ON, Canada L6S 5P6
Tel:(905) 494-1120 Fax: (905) 494-1140 Toll Free: 1-888-TO MIRUS

Unless otherwise specified, dimensions are in inches and [mm].	Drawn By	Date Created	Checked by	Approved by - date	Scale
	CG	31-JUL-08	YM	YM-31-JUL-08	NTS

The information contained herein is the sole property of MIRUS International Inc. Any form of reproduction, distribution and/or disclosure of this information, all or in part, is strictly prohibited without the express written consent of MIRUS International Inc.

Title	Revision	Sheet
1200 HP, 480 V, 60 Hz LINEATOR™ AUHF (Type-3R Enh.)	A8	1/1
Filename AUHF-1200-480-60-D-E1E-A8		