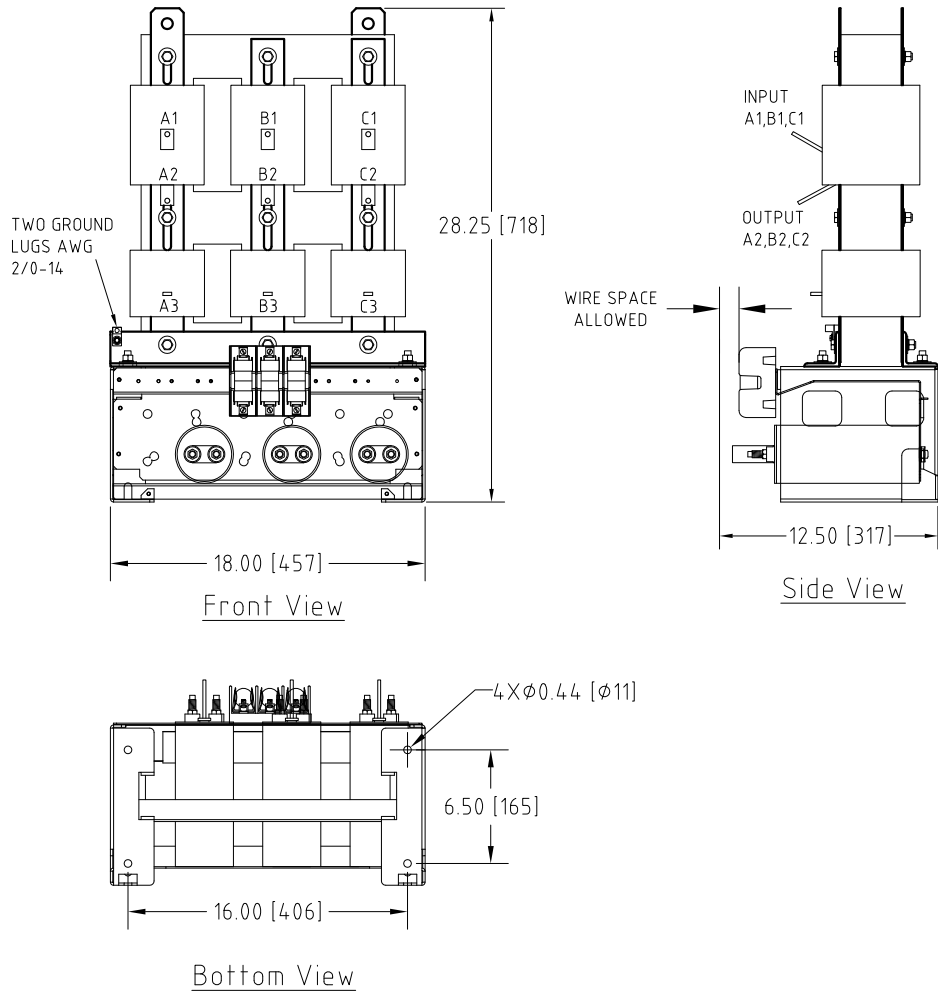
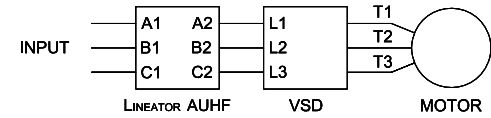


Rev. No.	Revision Note	Date	By	Checked
A11	REVISED CAPACITORS	06-SEP-11	YM	YM
A12	REVISED BRACKETS	08-APR-14	AH	YM

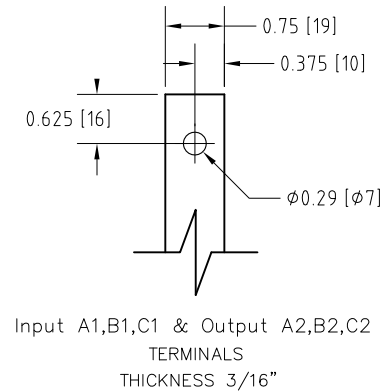


Connection Diagram



UNIT SPECIFICATIONS				INPUT	OUTPUT	APPROX. WT
HP [kW]	PHASE	VOLTS	Hz	AMPS	kW	lb [kg]
125 [90]	3	600	60	112	104	299 [136]

NOTES:
 1. CUSTOMER IS RESPONSIBLE FOR INSTALLATION TO MEET ALL NATIONAL AND LOCAL ELECTRICAL CODES AND OTHER APPLICABLE ELECTRICAL SAFETY AUTHORITIES.
 2. CUSTOMER IS RESPONSIBLE FOR PROPER COOLING OF FILTER COMPONENTS. ALLOWED AMBIENT: MAXIMUM 60°C, MINIMUM -40°C. A MINIMUM CLEARANCE OF 2" MUST BE ALLOWED ON BOTH RIGHT AND LEFT SIDES. PROPER VENTILATION MUST ENSURE THAT SUPPLY AIR FLOWS THROUGH THE REACTOR COILS FROM BELOW THE UNIT.



MIRUS International Inc. 31 Sun Pac Boulevard, Brampton, ON, Canada L6S 5P6
 Tel: (905) 494-1120 Fax: (905) 494-1140 Toll Free: 1-888-TO MIRUS

Unless otherwise specified, dimensions are in inches and [mm].	Drawn By CW	Date Created 25-SEP-08	Checked by YM	Approved by - date YM-25-SEP-08	Scale NTS
The information contained herein is the sole property of MIRUS International Inc. Any form of reproduction, distribution and/or disclosure of this information, all or in part, is strictly prohibited without the express written consent of MIRUS International Inc.			Title 125 HP, 600 V, 60 HZ LINEATOR™ AUHF (Open Style)		
			Filename AUHF-125-600-60-D-E0-A12	Revision A12	Sheet 1/1