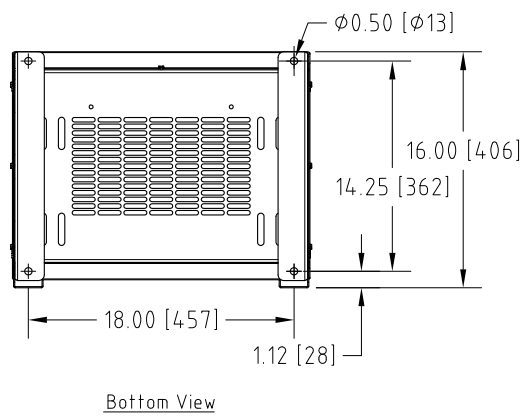
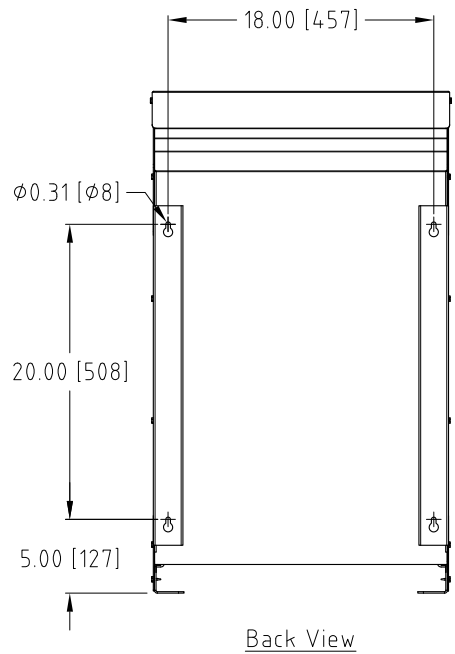
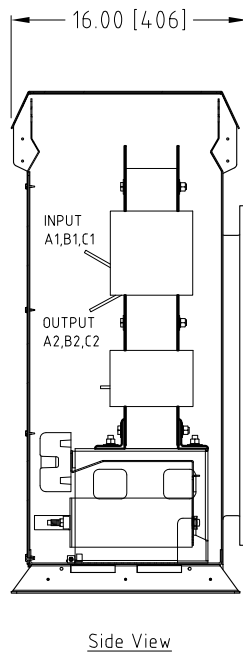
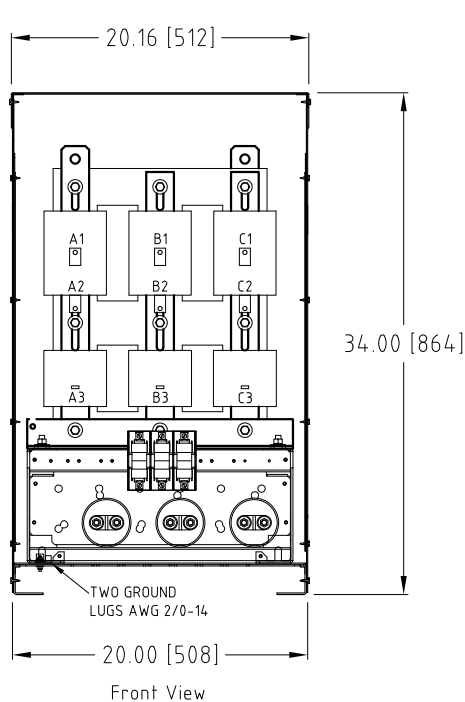
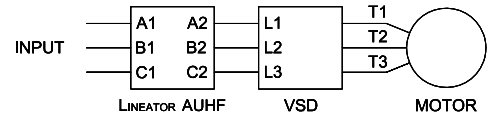


Rev. No.	Revision Note	Date	By	Checked
A11	REVISED CAPACITORS	06-SEP-11	YM	YM
A12	REVISED BRACKETS	08-APR-14	AH	YM



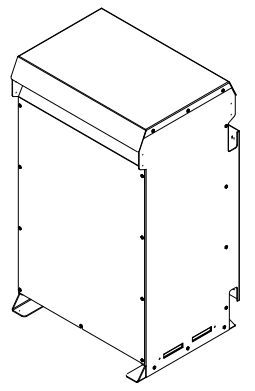
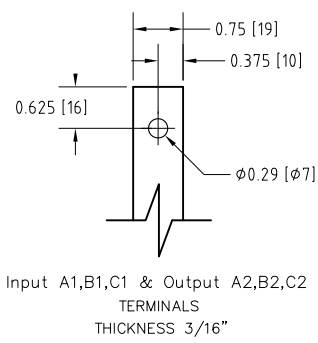
### Connection Diagram



UNIT SPECIFICATIONS				INPUT	OUTPUT	APPROX. WT
HP [kW]	PHASE	VOLTS	Hz	AMPS	kW	lb [kg]
125 [90]	3	600	60	112	104	345 [156]

NOTES:

- Customer is responsible for installation to meet all national and local electrical codes and other applicable electrical safety authorities.
- Type 3R Enclosure requires only front access but when floor mounting a minimum of 6" clearance should be provided at rear for proper ventilation.



**MIRUS International Inc.** 31 Sun Pac Boulevard, Brampton, ON, Canada L6S 5P6  
Tel: (905) 494-1120 Fax: (905) 494-1140 Toll Free: 1-888-TO MIRUS

Unless otherwise specified, dimensions are in inches and [mm].	Drawn By CW	Date Created 25-SEP-08	Checked by YM	Approved by - date YM-25-SEP-08	Scale NTS
The information contained herein is the sole property of MIRUS International Inc. Any form of reproduction, distribution and/or disclosure of this information, all or in part, is strictly prohibited without the express written consent of MIRUS International Inc.			Title 125 HP, 600 V, 60 HZ LINEATOR™ AUHF (Type-3R)		
Filename AUHF-125-600-60-D-E1-A12			Revision A12	Sheet 1/1	