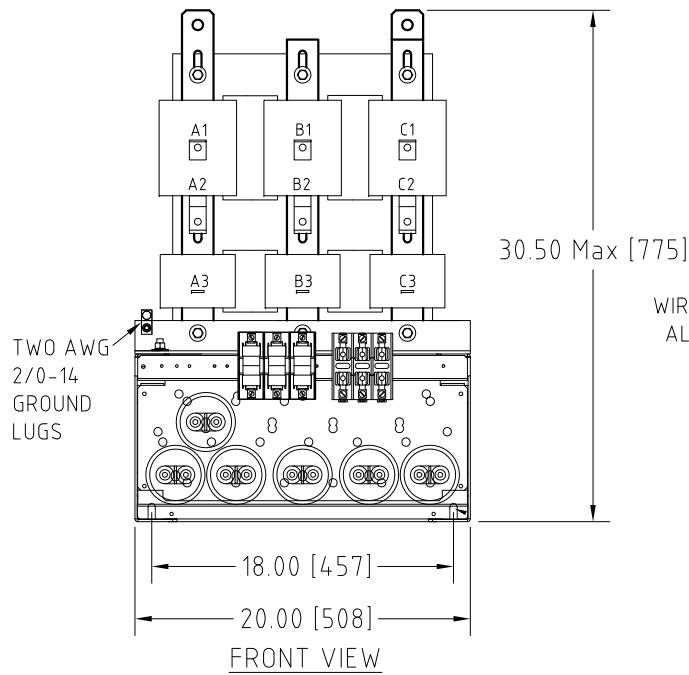
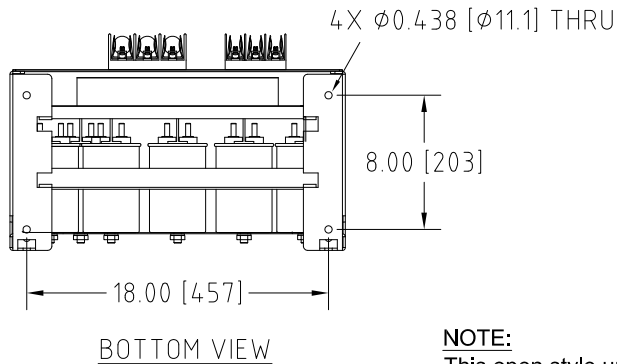
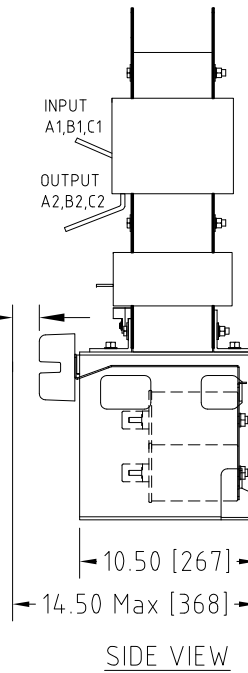


Rev. No.	Revision Note	Date	By	Checked
A12	Revised Busbars and Enclosure	28 JAN 14	AH	YM
A13	Revised Brackets	20 MAR 14	AH	YM



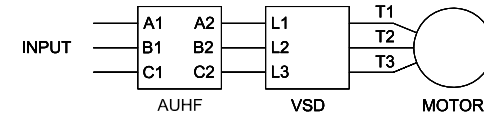
TWO AWG  
2/0-14  
GROUND  
LUGS

WIRE SPACE  
ALLOWED



**NOTE:**  
This open style unit is not equipped with panel mount brackets. If panel mounting is desired, a suitable bracket must be provided by others.

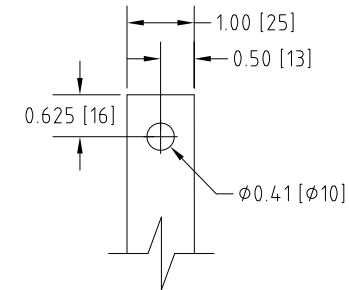
### Connection Diagram



UNIT SPECIFICATIONS				INPUT	OUTPUT	APPROX. WT
HP [kW]	PHASE	VOLTS	Hz	AMPS	kW	lb [kg]
150 [110]	3	480	60	169	125	319 [145]

#### NOTES:

- Customer is responsible for installation to meet all national and local electrical codes and other applicable electrical safety authorities.
- Customer is responsible for proper cooling of filter components. Allowed ambient: Maximum 60°C, Minimum -40°C. A minimum clearance of 2 inches must be allowed on both right and left sides.



INPUT A1,B1,C1 & OUTPUT A2,B2,C2  
TERMINALS  
THICKNESS: 1/4"

## MIRUS International Inc.

31 Sun Pac Boulevard, Brampton, ON, Canada L6S 5P6  
Tel: (905) 494-1120 Fax: (905) 494-1140 Toll Free: 1-888-TO MIRUS

Unless otherwise specified, dimensions are in inches and [mm].	Drawn By EH	Date Created 22-Jun-06	Checked by YM	Approved by - date YM-22-Jun-06	Scale NTS
The information contained herein is the sole property of MIRUS International Inc. Any form of reproduction, distribution and/or disclosure of this information, all or in part, is strictly prohibited without the express written consent of MIRUS International Inc.		Title 150 HP, 480 V, 60 Hz LINEATOR™ AUHF (Open Style)			
		Filename AUHF-150-480-60-D-E0-A13	Revision A13	Sheet 1/1	