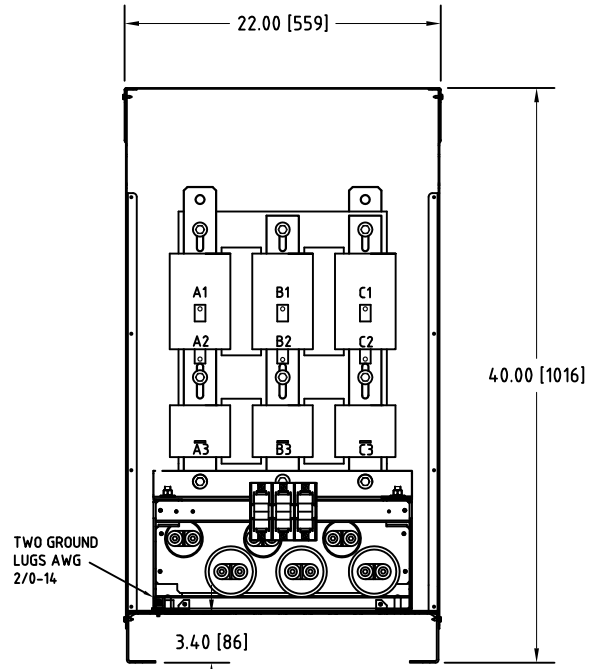
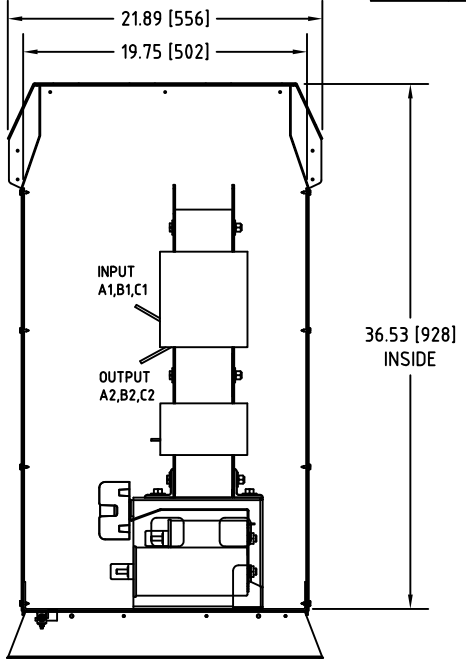


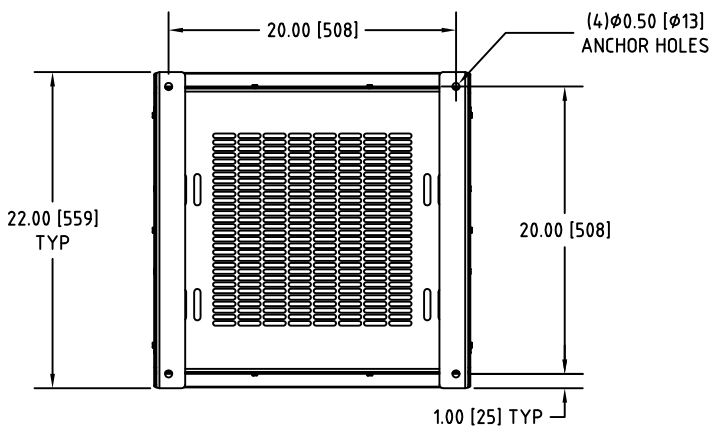
Rev. No.	Revision Note	Date	By	Checked
A10	Revised Brackets	07 APR 14	AH	YM
A11	Revised Enclosure	05 MAY 14	AH	YM



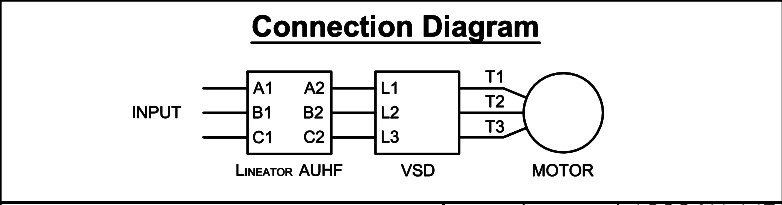
Front View



Side View



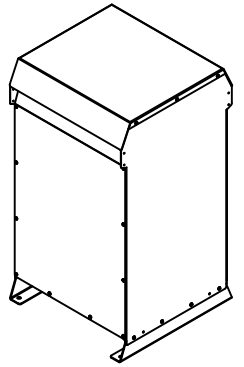
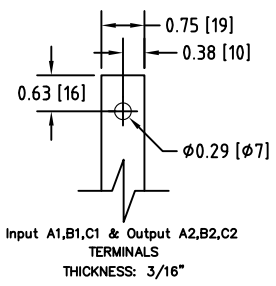
Bottom View



UNIT SPECIFICATIONS				INPUT	OUTPUT	APPROX. WT
HP [kW]	PHASE	VOLTS	Hz	AMPS	kW	lb [kg]
150 [110]	3	600	60	135	125	365 [166]

NOTES:

- Customer is responsible for installation to meet all national and local electrical codes and other applicable electrical safety authorities.
- Type 3R Enclosure requires only front access but minimum 6" clearance should be provided at rear for proper ventilation..



Isometric View

MIRUS International Inc. 31 Sun Pac Boulevard, Brampton, ON, Canada L6S 5P6
Tel:(905) 494-1120 Fax: (905) 494-1140 Toll Free: 1-888-TO MIRUS

Unless otherwise specified, dimensions are in inches and [mm].	Drawn By CW	Date Created 30-SEP-08	Checked by YM	Approved by - date YM-01-Oct-08	Scale NTS
The information contained herein is the sole property of MIRUS International Inc. Any form of reproduction, distribution and/or disclosure of this information, all or in part, is strictly prohibited without the express written consent of MIRUS International Inc.			Title 150 HP, 600 V, 60 HZ LINEATOR™ AUHF (Type-3R)		
			Filename AUHF-150-600-60-D-E1-A11	Revision A11	Sheet 1/1