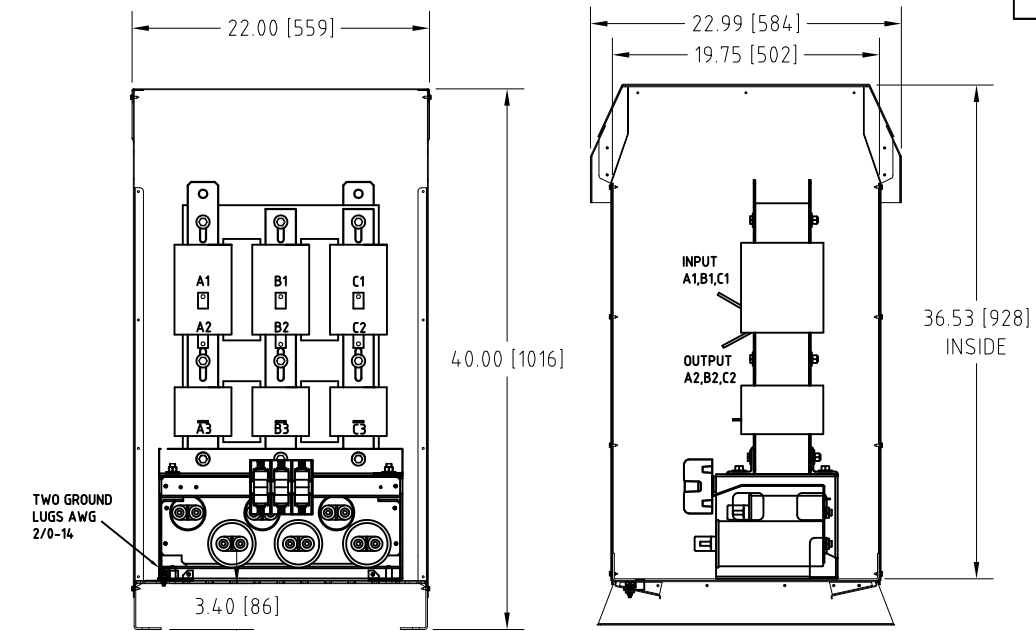
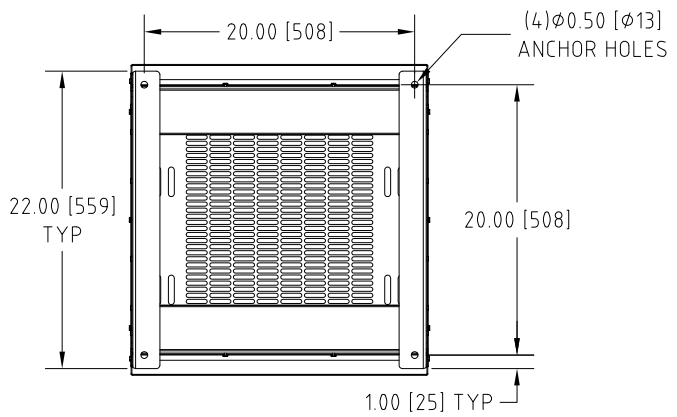


Rev. No.	Revision Note	Date	By	Checked
A10	Revised Brackets	07 APR 14	AH	YM
A11	Revised Enclosure	05 MAY 14	AH	YM



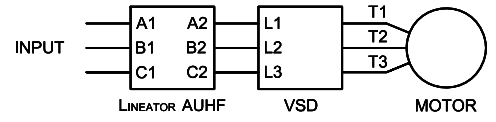
Front View

Side View



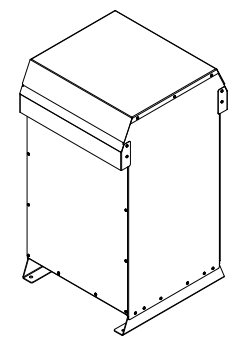
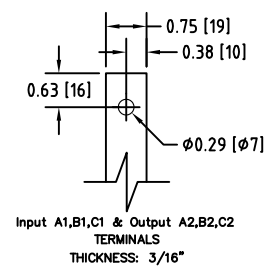
Bottom View

**Connection Diagram**



UNIT SPECIFICATIONS				INPUT	OUTPUT	APPROX. WT
HP [kW]	PHASE	VOLTS	Hz	AMPS	kW	lb [kg]
150 [110]	3	600	60	135	125	400 [182]

NOTES:  
 1. Customer is responsible for installation to meet all national and local electrical codes and other applicable electrical safety authorities.  
 2. Type 3R Enhanced enclosure suitable for outdoor installation. Only front access is required but minimum 6" clearance should be provided at rear for proper ventilation.



Isometric View

**MIRUS International Inc.** 31 Sun Pac Boulevard, Brampton, ON, Canada L6S 5P6  
 Tel: (905) 494-1120 Fax: (905) 494-1140 Toll Free: 1-888-TO MIRUS

Unless otherwise specified, dimensions are in inches and [mm].	Drawn By CW	Date Created 30-SEP-08	Checked by YM	Approved by - date YM-01-Oct-08	Scale NTS
The information contained herein is the sole property of MIRUS International Inc. Any form of reproduction, distribution and/or disclosure of this information, all or in part, is strictly prohibited without the express written consent of MIRUS International Inc.			Title 150 HP, 600 V, 60 HZ LINEATOR™ AUHF (Type-3R Enh.)		
Filename AUHF-150-600-60-D-E1E-A11			Revision A11	Sheet 1/1	