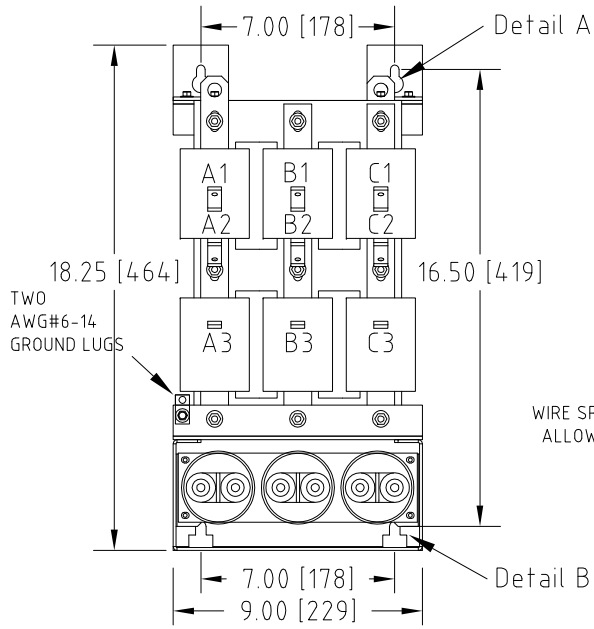
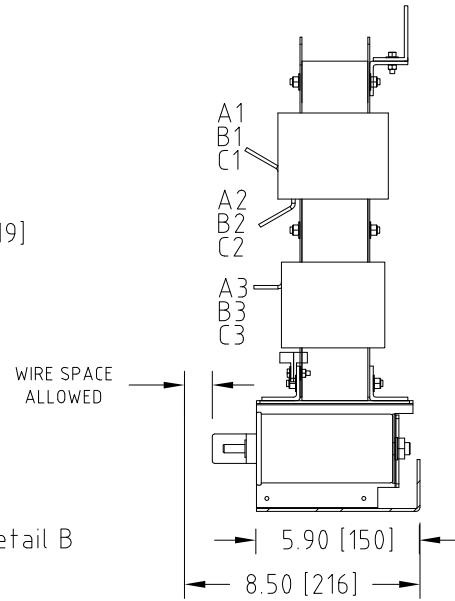


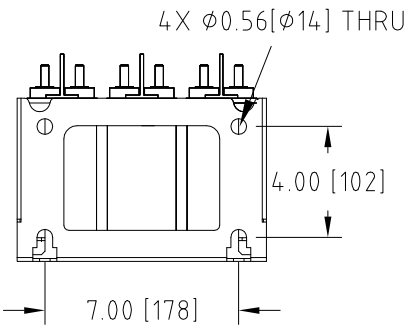
Rev. No.	Revision Note	Date	By	Checked
A21	Capacitors Revised	04-MAR-15	AH	YM
A22	CHANGED E1 ENCLOSURE TO SU1	30-NOV-15	CG	AH



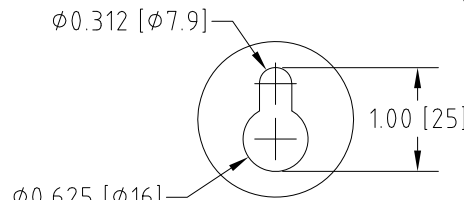
Front View



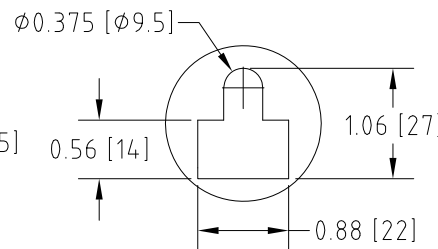
Side View



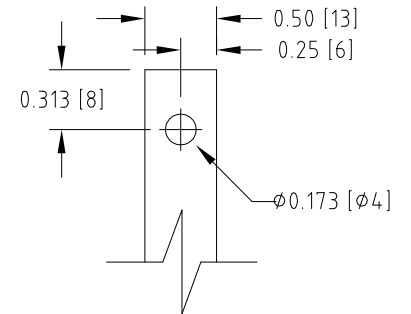
Bottom View



Detail A

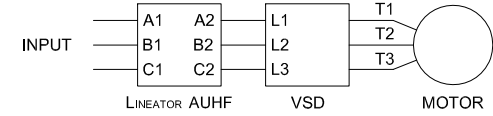


Detail B



Input A1,B1,C1 & Output A2,B2,C2
TERMINALS
THICKNESS: 1/8"

Connection Diagram



UNIT SPECIFICATIONS			INPUT	OUTPUT	APPROX. WT,
HP (kW)	PHASE	VOLTS	AMPS	kW	lb (kg)
20 (15)	3	600	18	17	95 (43)

NOTES:

- CUSTOMER IS RESPONSIBLE FOR INSTALLATION TO MEET ALL NATIONAL AND LOCAL ELECTRICAL CODES AND OTHER APPLICABLE ELECTRICAL SAFETY AUTHORITIES.
- CUSTOMER IS RESPONSIBLE FOR PROPER COOLING OF FILTER COMPONENTS. ALLOWED AMBIENT: MAXIMUM 60°C, MINIMUM -40°C. A MINIMUM CLEARANCE OF 2" MUST BE ALLOWED ON BOTH RIGHT AND LEFT SIDES. PROPER VENTILATION MUST ENSURE THAT SUPPLY AIR FLOWS THROUGH THE REACTOR COILS FROM BELOW THE UNIT.

MIRUS International Inc.

31 Sun Pac Boulevard, Brampton, ON, Canada L6S 5P6
Tel: (905) 494-1120 Fax: (905) 494-1140 Toll Free: 1-888-T0 MIRUS

Unless otherwise specified, dimensions are in inches and [mm].	Drawn by WXY	Date 26-OCT-09	Checked by YM	Approved by - date YM - 26-OCT-09	Scale NTS
The information contained herein is the sole property of MIRUS International Inc. Any form of reproduction, distribution and/or disclosure of this information, all or in part, is strictly prohibited without the express written consent of MIRUS International Inc.		Title 20HP, 600V, 60Hz Panel Mount Style Lineator AUHF			
Filename AUHF-20-600-60-D-E0P-A22			Revision A22	Sheet 1/1	