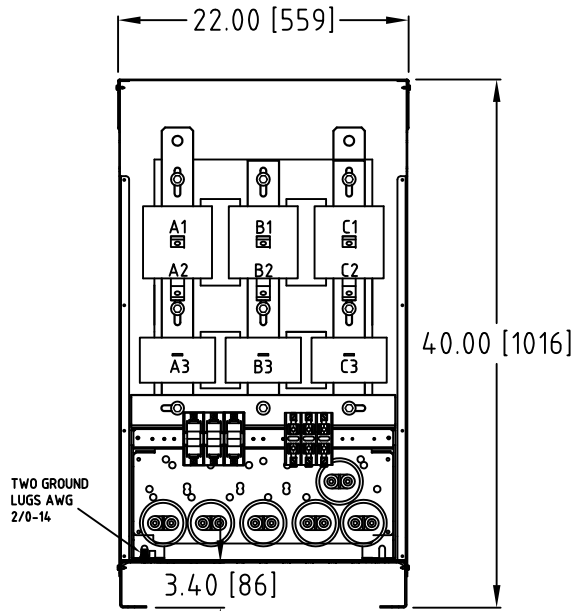
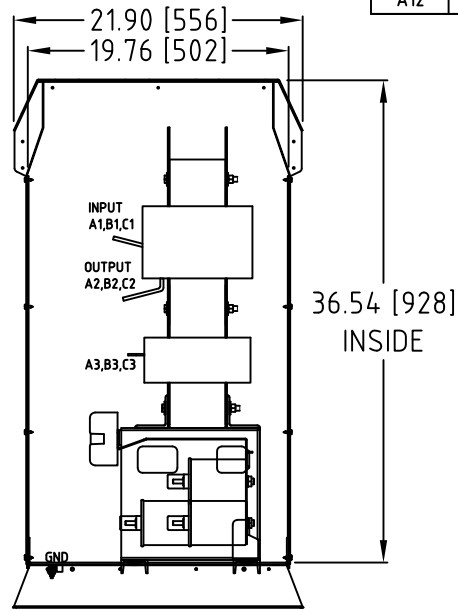


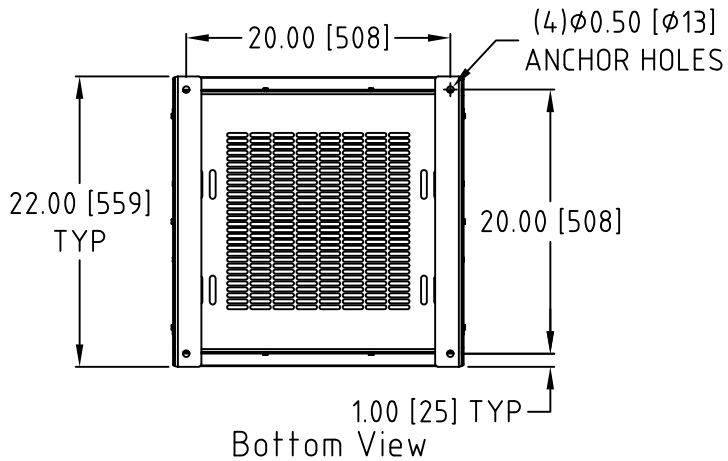
Rev. No.	Revision Note	Date	By	Checked
A11	NEW DESIGN	26-FEB-14	YM	YM
A12	REVISED BRACKETS	02-APR-14	AH	YM



Front View



Side View



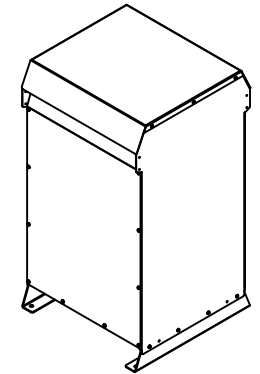
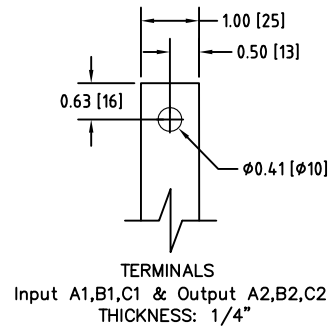
Bottom View

Connection Diagram

UNIT SPECIFICATIONS				INPUT	OUTPUT	APPROX. WT
HP [kW]	PHASE	VOLTS	Hz	AMPS	kW	lb [kg]
200 [150]	3	600	60	180	168	530 [240]

NOTES:

- Customer is responsible for installation to meet all national and local electrical codes and other applicable electrical safety authorities.
- Type 3R Enclosure requires only front access but minimum 6" clearance should be provided at rear for proper ventilation..



Isometric View

MIRUS International Inc.		31 Sun Pac Boulevard, Brampton, ON, Canada L6S 5P6 Tel:(905) 494-1120 Fax: (905) 494-1140 Toll Free: 1-888-TO MIRUS			
		Unless otherwise specified, dimensions are in inches and [mm].	Drawn By EH	Date Created 22-JUN-06	Checked by YM
The information contained herein is the sole property of MIRUS International Inc. Any form of reproduction, distribution and/or disclosure of this information, all or in part, is strictly prohibited without the express written consent of MIRUS International Inc.		Title 200 HP, 600 V, 60 HZ LINEATOR™ AUHF (Type-3R)			
		Filename AUHF-200-600-60-D-E1-A12		Revision A12	Sheet 1/1