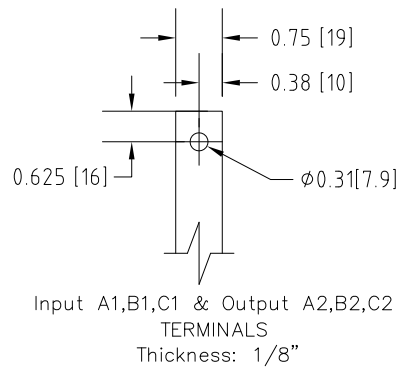
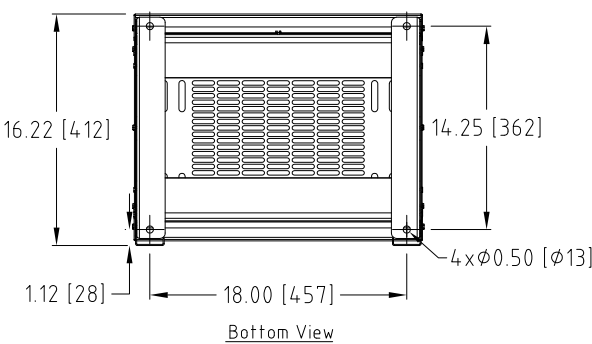
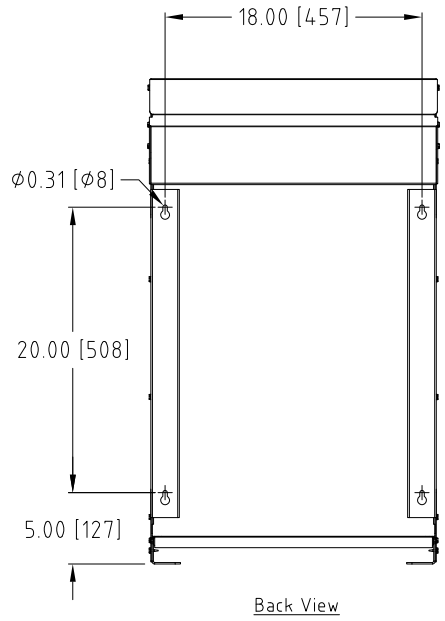
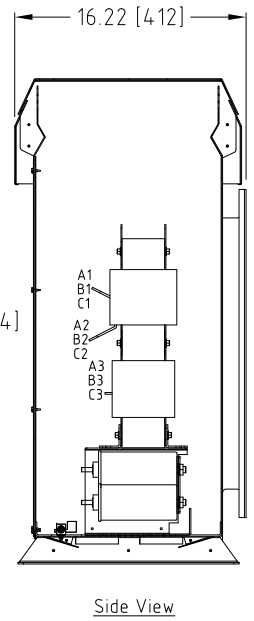
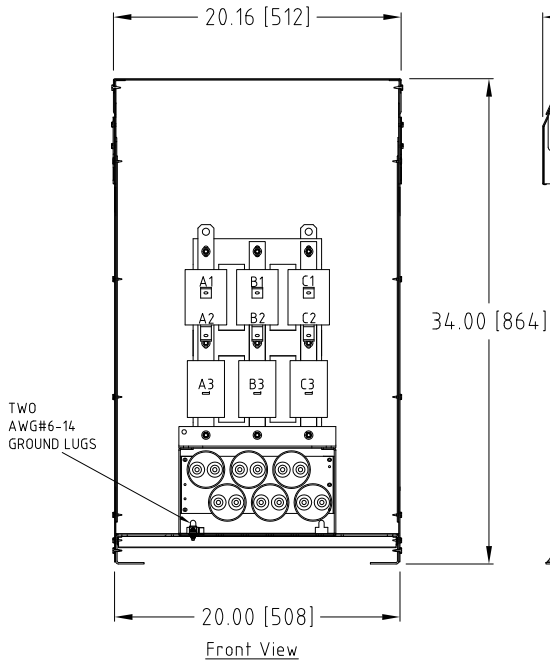


Rev. No.	Revision Note	Date	By	Checked
A5	FUSES REVISED	11-NOV-2013	AH	YM
A6	DESIGN UPDATED TO PRESSURE PLATE STYLE	09-MAR-2016	CG	AH

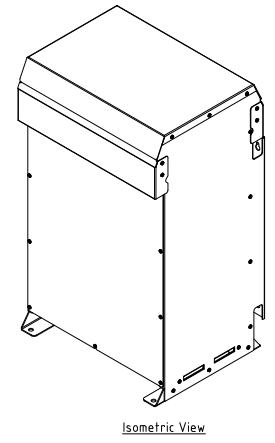


Connection Diagram

UNIT SPECIFICATIONS				INPUT	OUTPUT	APPROX. WT
HP [kW]	PHASE	VOLTS	Hz	AMPS	kW	lb [kg]
25 [18.5]	3	208	60	66	21	180 [82]

NOTES:

- Customer is responsible for installation to meet all national and local electrical codes and other applicable electrical safety authorities.
- Type 3R Enhanced enclosure suitable for outdoor installation.
- Only front access is required but when floor mounting a minimum of 6" clearance should be provided at rear for proper ventilation.



MIRUS International Inc.		#12-6805 Invader Cres., Mississauga, ON, Canada L5T 2K6 Tel:(905) 565-6900 Fax: (905) 565-6911 Toll Free: 1-888-TO MIRUS			
		Unless otherwise specified, dimensions are in inches and [mm].	Drawn By WXY	Date Created 20-NOV-09	Checked by YM
The information contained herein is the sole property of MIRUS International Inc. Any form of reproduction, distribution and/or disclosure of this information, all or in part, is strictly prohibited without the express written consent of MIRUS International Inc.		Title 25 HP, 208 V, 60 Hz LINEATOR™ AUHF (Type-3R Enh.)			
		Filename AUHF-25-208-60-D-E1E-A6	Revision A6	Sheet 1/1	