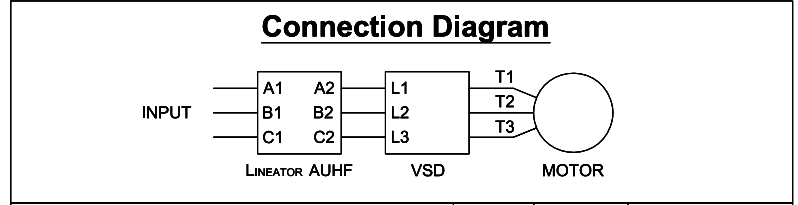
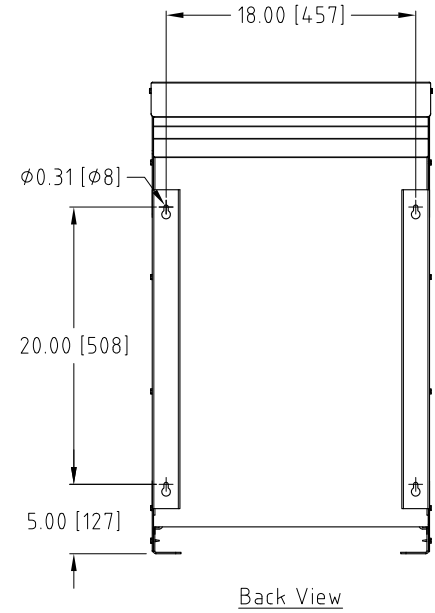
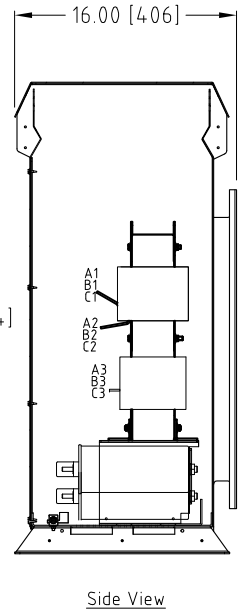
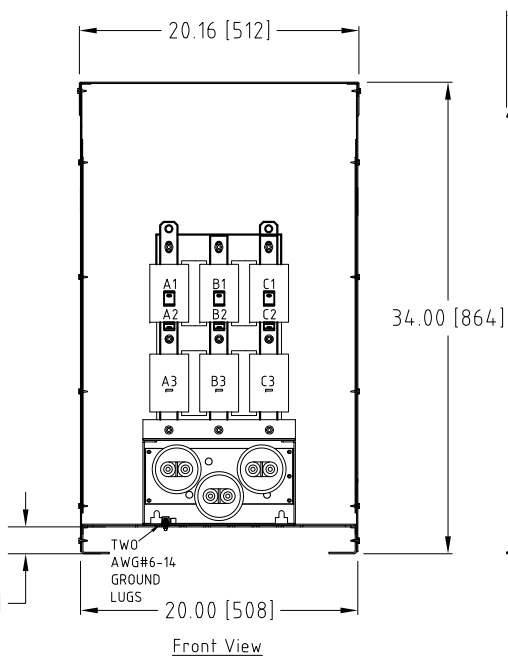


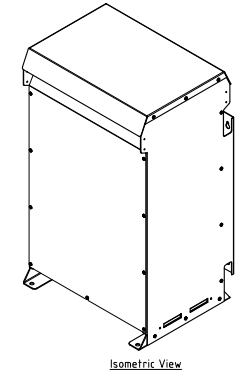
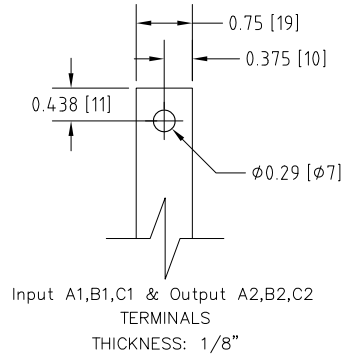
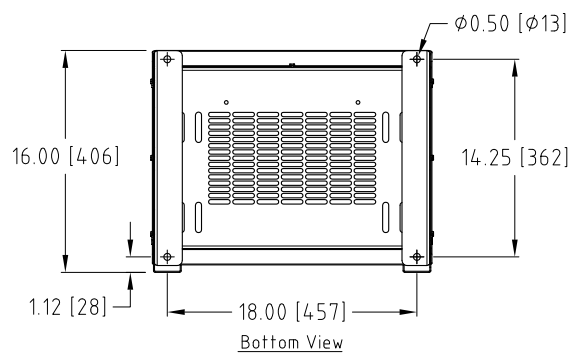
Rev. No.	Revision Note	Date	By	Checked
A3	BRACKETS REVISED	10-NOV-15	AH	YM
A4	REVISED REACTOR AND CAPACITOR BOARD DESIGN	30-MAY-2017	CG	AH



UNIT SPECIFICATIONS				INPUT	OUTPUT	APPROX. WT
HP [kW]	PHASE	VOLTS	Hz	AMPS	kW	lb [kg]
30 [22]	3	208	60	79	25	190 [86]

NOTES:

- Customer is responsible for installation to meet all national and local electrical codes and other applicable electrical safety authorities.
- Customer is responsible for proper cooling of filter components. Allowed ambient: Maximum 60°C, Minimum -40°C. A minimum clearance of 2 inches must be allowed on both right and left sides.



**MIRUS International Inc.** #12-6805 Invader Cres., Mississauga, ON, Canada L5T 2K6  
Tel:(905) 565-6900 Fax: (905) 565-6911 Toll Free: 1-888-TO MIRUS

Unless otherwise specified, dimensions are in inches and [mm].	Drawn By WXY	Date Created 20-NOV-09	Checked by YM	Approved by - date YM-20-NOV-09	Scale NTS
The information contained herein is the sole property of MIRUS International Inc. Any form of reproduction, distribution and/or disclosure of this information, all or in part, is strictly prohibited without the express written consent of MIRUS International Inc.			Title 30 HP, 208 V, 60 Hz LINEATOR AUHF (Type-3R)		
Filename AUHF-30-208-60-D-E1-A4			Revision A4	Sheet 1/1	