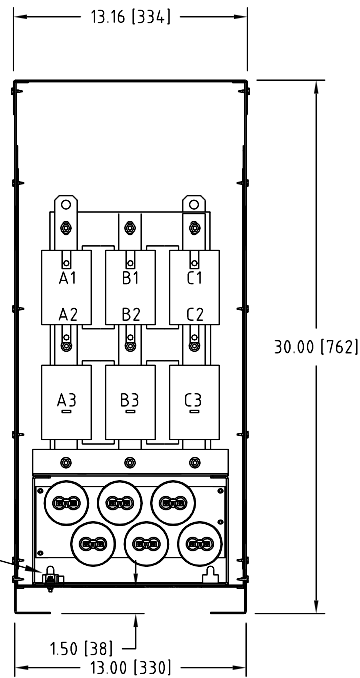
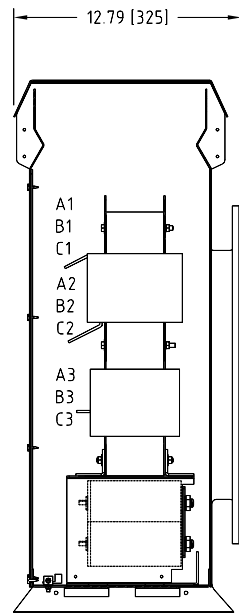


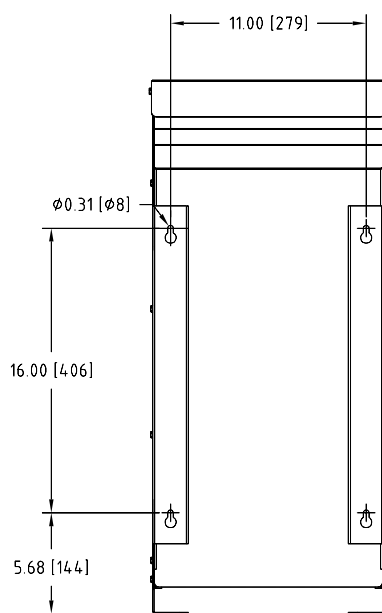
Rev. No.	Revision Note	Date	By	Checked
A18	Terminals bent 90 degrees.	24-JUN-08	CG	YM
A19	Revised Design	21-NOV-13	AH	YM



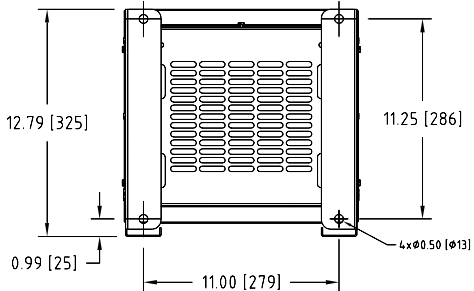
Front View



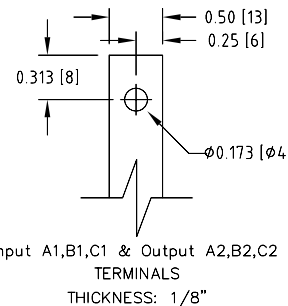
Side View



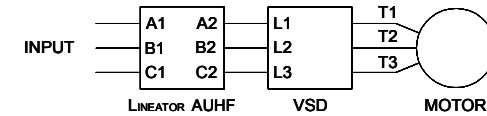
Back View



Bottom View



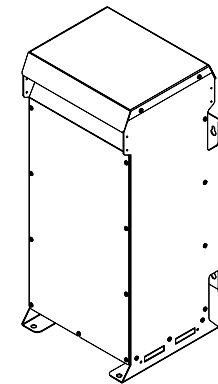
### Connection Diagram



UNIT SPECIFICATIONS				INPUT	OUTPUT	APPROX. WT
HP [kW]	PHASE	VOLTS	Hz	AMPS	kW	lb [kg]
30 [22]	3	480	60	34	25	152 [69]

#### NOTES:

- Customer is responsible for installation to meet all national and local electrical codes and other applicable electrical safety authorities.
- Type 3R Enhanced enclosure suitable for outdoor installation. Only front access is required but minimum 6" clearance should be provided at rear for proper ventilation.



Isometric View

## MIRUS International Inc.

31 Sun Pac Boulevard, Brampton, ON, Canada L6S 5P6  
Tel: (905) 494-1120 Fax: (905) 494-1140 Toll Free: 1-888-TO MIRUS

Unless otherwise specified, dimensions are in inches and [mm].	Drawn By JH	Date Created 25-Oct-05	Checked by YM	Approved by - date YM-25-Oct-05	Scale NTS
The information contained herein is the sole property of MIRUS International Inc. Any form of reproduction, distribution and/or disclosure of this information, all or in part, is strictly prohibited without the express written consent of MIRUS International Inc.			Title 30 HP, 480 V, 60 Hz LINEATOR™ AUHF (Type-3R)		
			Filename AUHF-30-480-60-D-E1-A19	Revision A19	Sheet 1/1