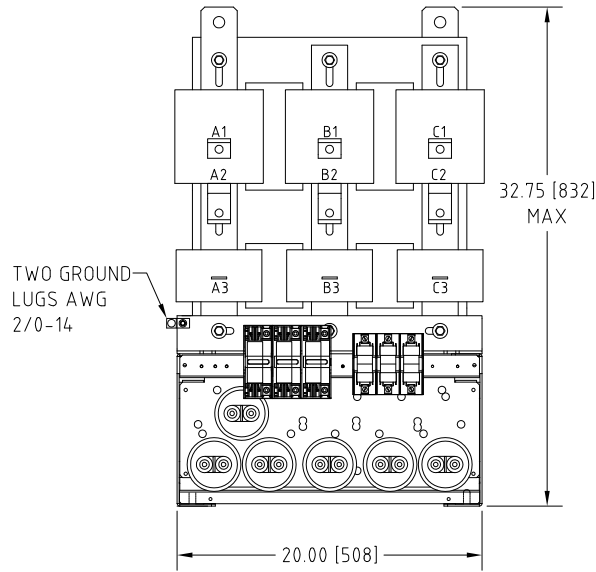
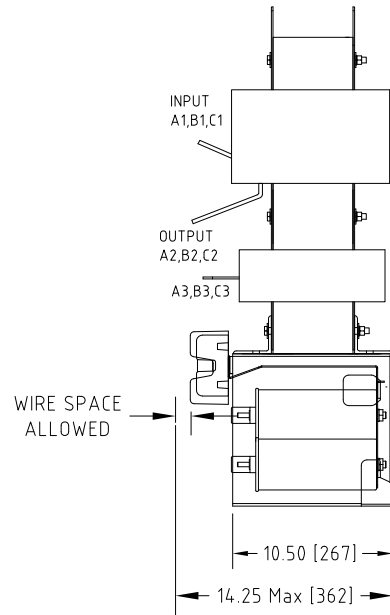


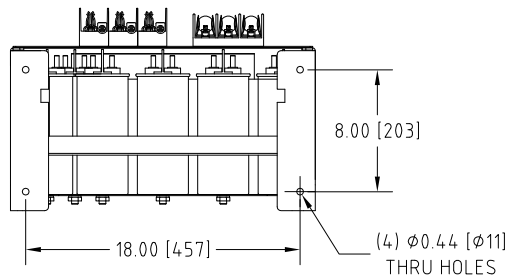
Rev. No.	Revision Note	Date	By	Checked
A5	WEIGHT UPDATED	14-APR-14	PH	CG
A6	REVISED NAMEPLATE DATA	11-AUG-2020	CG	AH



FRONT VIEW



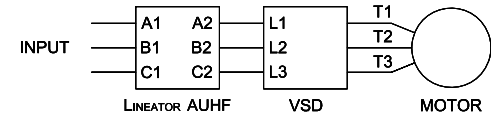
SIDE VIEW



BOTTOM VIEW

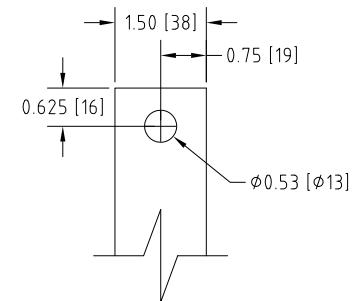
**NOTE:**  
This open style unit is not equipped with panel mount brackets. If panel mounting is desired, a suitable bracket must be provided by others.

**Connection Diagram**



UNIT SPECIFICATIONS				INPUT	OUTPUT	APPROX. WT
HP [kW]	PHASE	VOLTS	Hz	AMPS	kW	lb [kg]
300 [220]	3	480	60	337	251	617 [280]

**NOTES:**  
1. CUSTOMER IS RESPONSIBLE FOR INSTALLATION TO MEET ALL NATIONAL AND LOCAL ELECTRICAL CODES AND OTHER APPLICABLE ELECTRICAL SAFETY AUTHORITIES.  
2. CUSTOMER IS RESPONSIBLE FOR PROPER COOLING OF FILTER COMPONENTS. ALLOWED AMBIENT: MAXIMUM 60°C, MINIMUM -40°C. A MINIMUM CLEARANCE OF 2" MUST BE ALLOWED ON BOTH RIGHT AND LEFT SIDES. PROPER VENTILATION MUST ENSURE THAT SUPPLY AIR FLOWS THROUGH THE REACTOR COILS FROM BELOW THE UNIT.



INPUT A1,B1,C1 & OUTPUT A2,B2,C2  
TERMINALS  
THICKNESS: 1/4"

**MIRUS International Inc.**

31 Sun Pac Boulevard, Brampton, ON, Canada L6S 5P6  
Tel:(905) 494-1120 Fax: (905) 494-1140 Toll Free: 1-888-TO MIRUS

Unless otherwise specified, dimensions are in inches and [mm].	Drawn By CW	Date Created 28-Mar-08	Checked by YM	Approved by - date YM-28-MAR-08	Scale NTS
The information contained herein is the sole property of MIRUS International Inc. Any form of reproduction, distribution and/or disclosure of this information, all or in part, is strictly prohibited without the express written consent of MIRUS International Inc.			Title 300 HP, 480 V, 60 Hz LINEATOR™ AUHF (Open Style)		
			Filename AUHF-300-480-60-D-E0-A6	Revision A6	Sheet 1/1