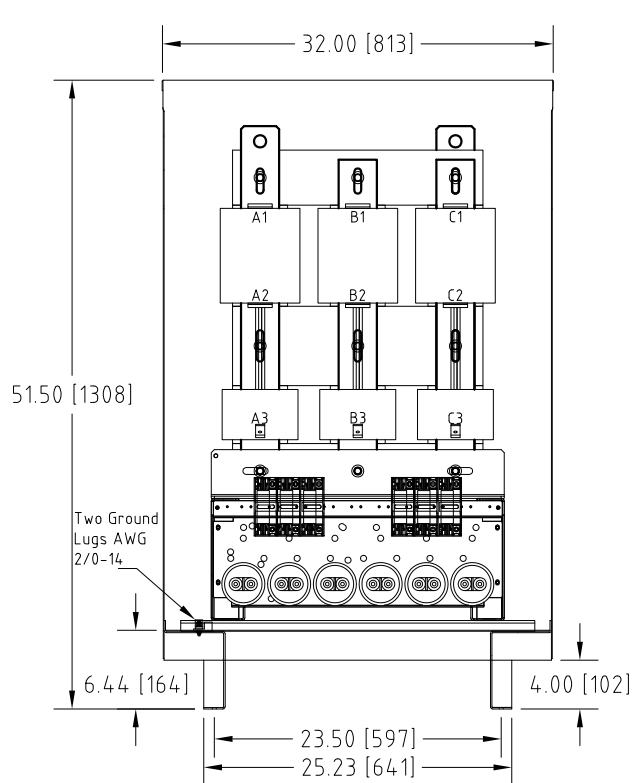
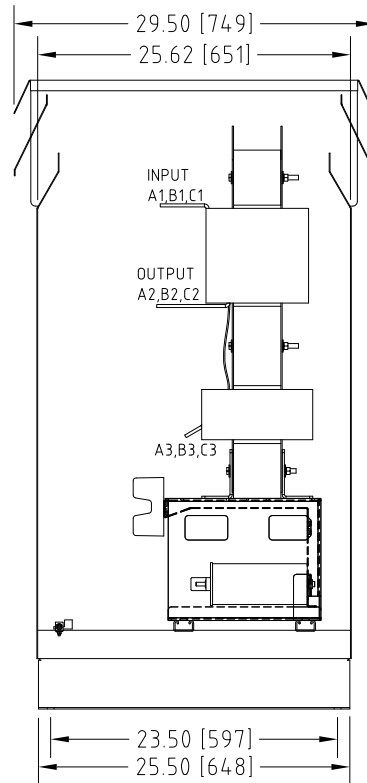


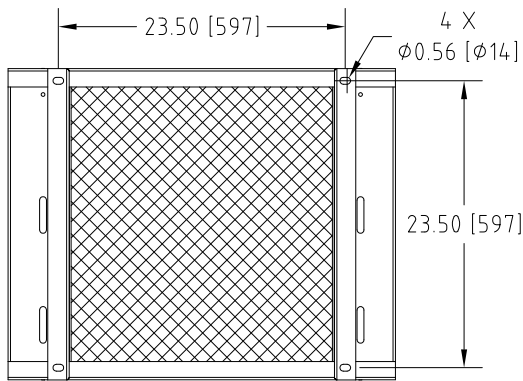
Rev. No.	Revision Note	Date	By	Checked
A25	REVISED REACTOR AND CAPACITOR BOARD DESIGN	29-JAN-2018	CG	BDK
A26	REVISED REACTOR AND CAPACITOR BOARD DESIGN	05-DEC-2019	CG	BDK



Front View

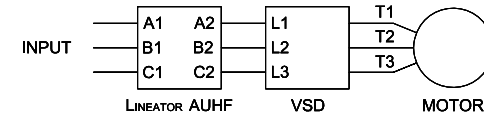


Side View



Bottom View

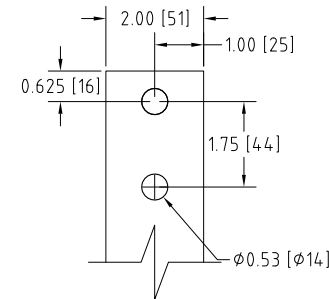
### Connection Diagram



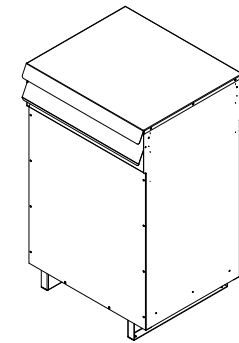
UNIT SPECIFICATIONS				INPUT	OUTPUT	APPROX. WT
HP [kW]	PHASE	VOLTS	Hz	AMPS	kW	lb [kg]
350 [250]	3	480	60	395	292	850 [386]

#### NOTES:

- Customer is responsible for installation to meet all national and local electrical codes and other applicable electrical safety authorities.
- Type 3R Enclosure requires only front access but minimum 6" clearance should be provided at rear for proper ventilation..



Input A1,B1,C1 & Output A2,B2,C2  
TERMINALS  
THICKNESS: 1/4"



Isometric View

## MIRUS International Inc.

31 Sun Pac Boulevard, Brampton, ON, Canada L6S 5P6  
Tel:(905) 494-1120 Fax: (905) 494-1140 Toll Free: 1-888-TO MIRUS

Unless otherwise specified, dimensions are in inches and [mm].	Drawn By YM	Date Created JAN 27/12	Checked by CG	Approved by - date CG-29-JAN-2019	Scale NTS
The information contained herein is the sole property of MIRUS International Inc. Any form of reproduction, distribution and/or disclosure of this information, all or in part, is strictly prohibited without the express written consent of MIRUS International Inc.			Title 350 HP, 480 V, 60 Hz LINEATOR™ AUHF (Type-3R)		
Filename AUHF-350-480-60-D-E1-A26		Revision A26		Sheet 1/1	