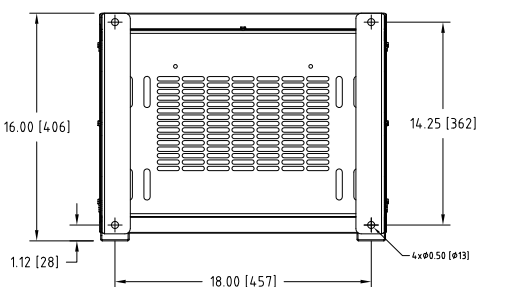
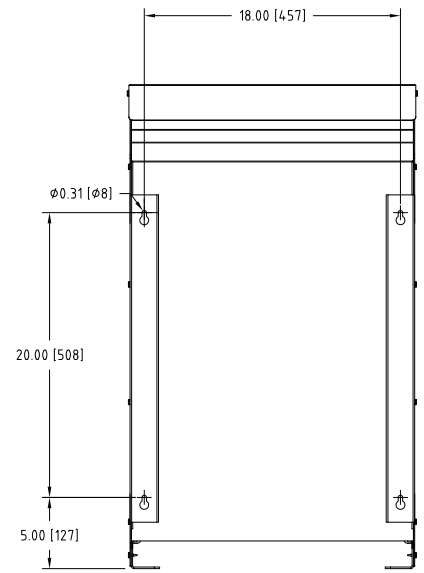
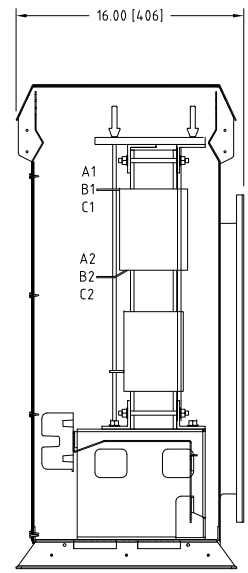
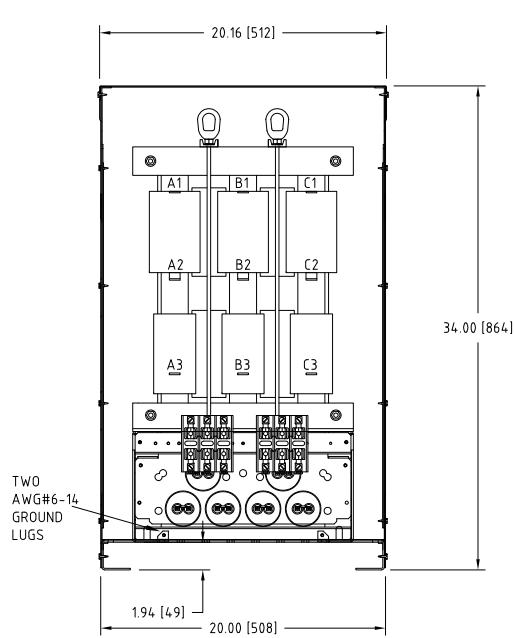


Rev. No.	Revision Note	Date	By	Checked
A2	CHANGED ENCLOSURE	20-SEP-10	YM	YM
A3	CHANGED FUSES	24-JUN-14	AH	YM

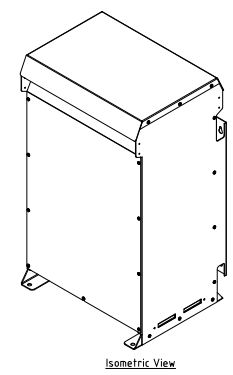
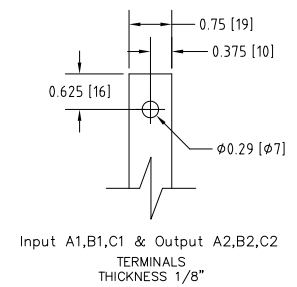


### Connection Diagram

UNIT SPECIFICATIONS				INPUT	OUTPUT	APPROX. WT
HP [kW]	PHASE	VOLTS	Hz	AMPS	kW	lb [kg]
40 [30]	3	208	60	105	34	218 [99]

NOTES:

- Customer is responsible for installation to meet all national and local electrical codes and other applicable electrical safety authorities.
- Type 3R Enclosure requires only front access but when floor mounting a minimum of 6" clearance should be provided at rear for proper ventilation.



## MIRUS International Inc.

31 Sun Pac Boulevard, Brampton, ON, Canada L6S 5P6  
Tel: (905) 494-1120 Fax: (905) 494-1140 Toll Free: 1-888-TO MIRUS

Unless otherwise specified, dimensions are in inches and [mm].	Drawn By EN	Date Created 19-JUL-07	Checked by YM	Approved by - date YM-19-JUL-07	Scale NTS
The information contained herein is the sole property of MIRUS International Inc. Any form of reproduction, distribution and/or disclosure of this information, all or in part, is strictly prohibited without the express written consent of MIRUS International Inc.			Title 40 HP, 208 V, 60 Hz LINEATOR™ AUHF (Type-3R)		
			Filename AUHF-40-208-60-D-E1-A3	Revision A3	Sheet 1/1