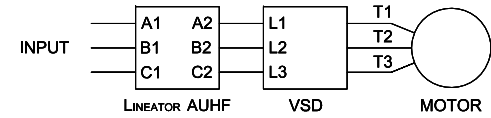


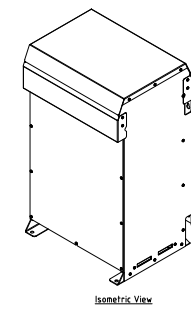
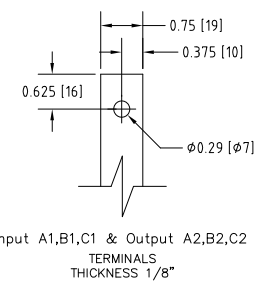
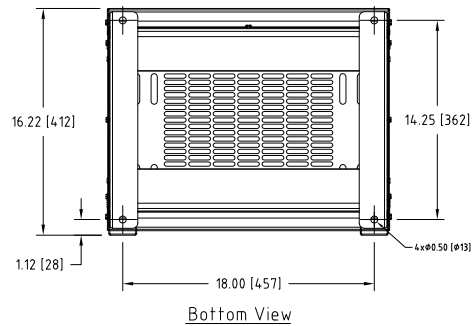
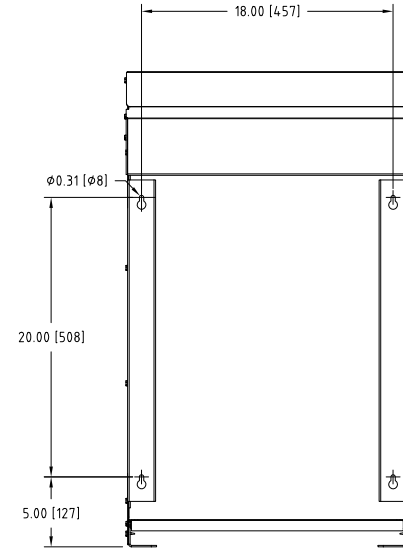
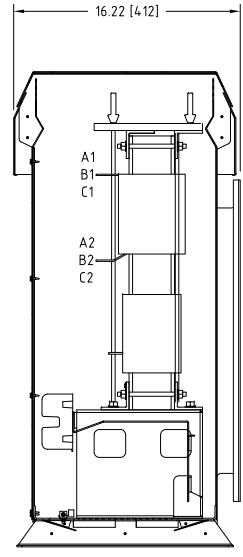
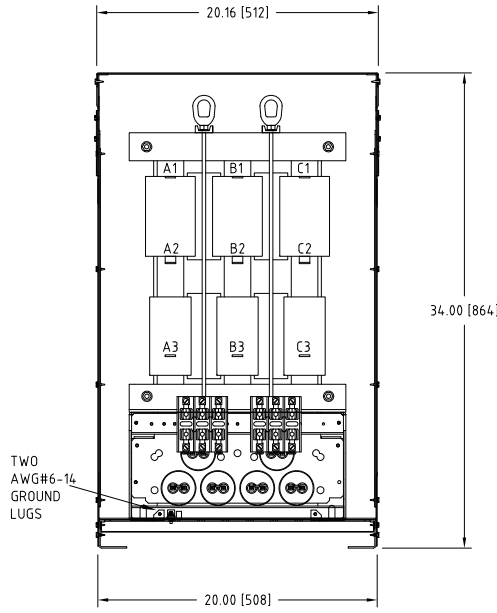
Rev. No.	Revision Note	Date	By	Checked
A2	CHANGED ENCLOSURE	20-SEP-10	YM	YM
A3	CHANGED FUSES	24-JUN-14	AH	YM

### Connection Diagram



UNIT SPECIFICATIONS				INPUT	OUTPUT	APPROX. WT
HP [kW]	PHASE	VOLTS	Hz	AMPS	kW	lb [kg]
40 [30]	3	208	60	105	34	228 [103]

- NOTES:
- Customer is responsible for installation to meet all national and local electrical codes and other applicable electrical safety authorities.
  - Type 3R Enhanced enclosure suitable for outdoor installation.
  - Only front access is required but when floor mounting a minimum of 6" clearance should be provided at rear for proper ventilation.



**MIRUS International Inc.** 31 Sun Pac Boulevard, Brampton, ON, Canada L6S 5P6  
 Tel:(905) 494-1120 Fax: (905) 494-1140 Toll Free: 1-888-TO MIRUS

Unless otherwise specified, dimensions are in inches and [mm].	Drawn By EN	Date Created 19-JUL-07	Checked by YM	Approved by - date YM-19-JUL-07	Scale NTS
The information contained herein is the sole property of MIRUS International Inc. Any form of reproduction, distribution and/or disclosure of this information, all or in part, is strictly prohibited without the express written consent of MIRUS International Inc.			Title 40 HP, 208 V, 60 Hz LINEATOR™ AUHF (Type-3R Enh.)		
Filename AUHF-40-208-60-D-E1E-A3			Revision A3	Sheet 1/1	