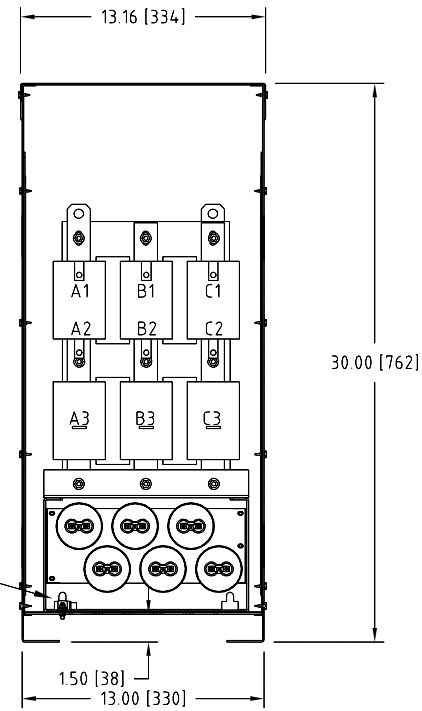
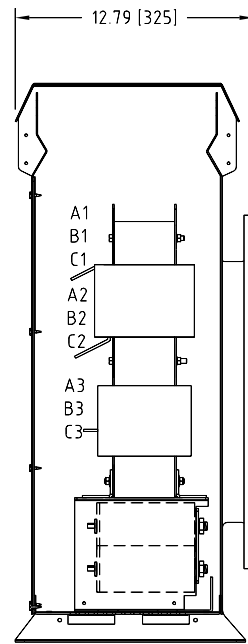


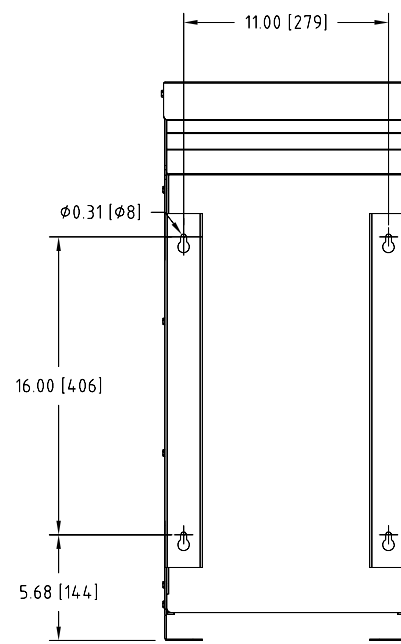
Rev. No.	Revision Note	Date	By	Checked
A19	Revised Enclosure	06-FEB-09	YM	YM
A20	Revised Brackets	06-JAN-14	AH	YM



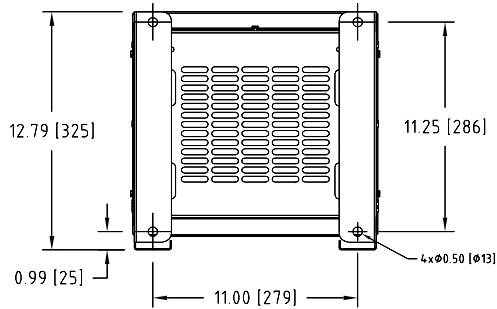
Front View



Side View

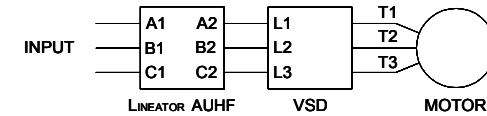


Back View



Bottom View

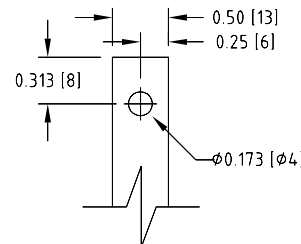
Connection Diagram



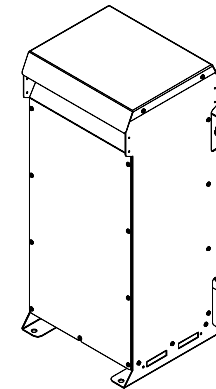
UNIT SPECIFICATIONS				INPUT	OUTPUT	APPROX. WT
HP [kW]	PHASE	VOLTS	Hz	AMPS	kW	lb [kg]
40 [30]	3	480	60	46	34	175 [79]

NOTES:

- Customer is responsible for installation to meet all national and local electrical codes and other applicable electrical safety authorities.
- Type 3R Enclosure requires only front access but minimum 6" clearance should be provided at rear for proper ventilation..



Input A1,B1,C1 & Output A2,B2,C2
TERMINALS
THICKNESS: 1/8"



Isometric View

MIRUS International Inc.

31 Sun Pac Boulevard, Brampton, ON, Canada L6S 5P6
Tel:(905) 494-1120 Fax: (905) 494-1140 Toll Free: 1-888-TO MIRUS

Unless otherwise specified, dimensions are in inches and [mm].	Drawn By JH	Date Created 25-Oct-05	Checked by YM	Approved by - date YM-25-Oct-05	Scale NTS
The information contained herein is the sole property of MIRUS International Inc. Any form of reproduction, distribution and/or disclosure of this information, all or in part, is strictly prohibited without the express written consent of MIRUS International Inc.			Title 40 HP, 480 V, 60 Hz LINEATOR™ AUHF (Type-3R)		
Filename AUHF-40-480-60-D-E1-A20			Revision A20	Sheet 1/1	