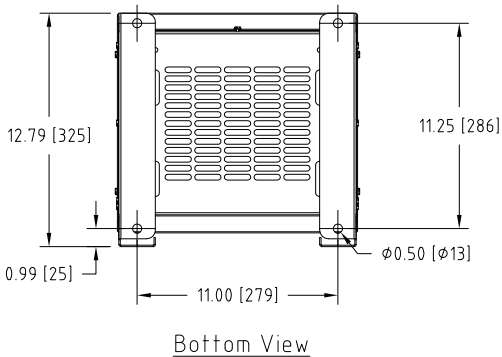
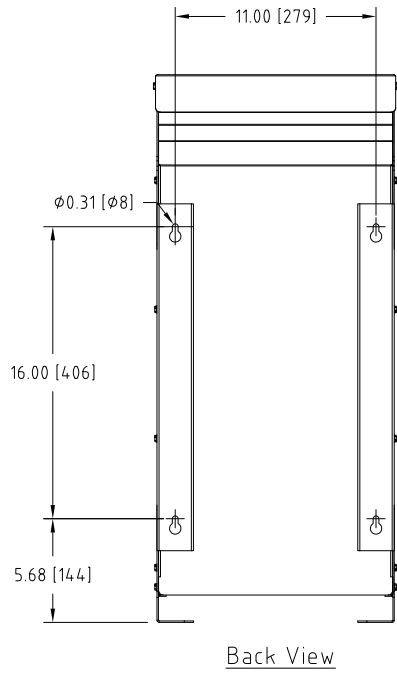
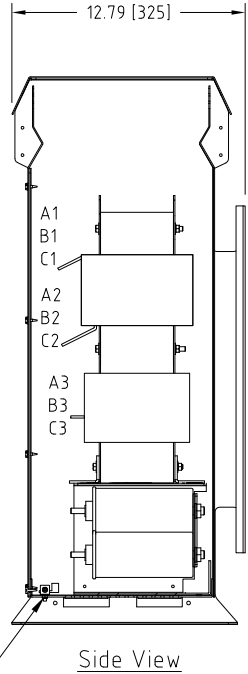
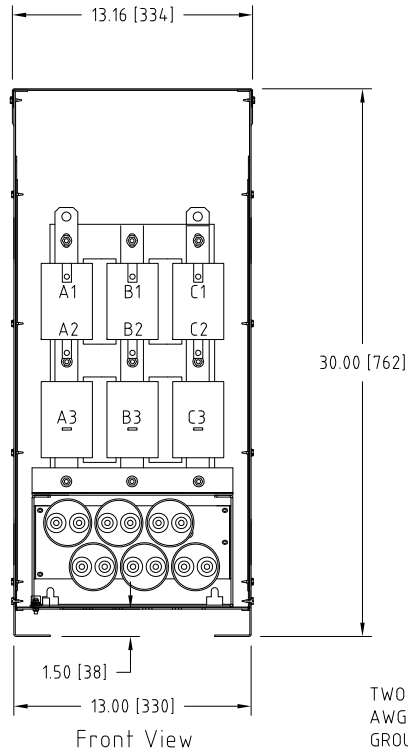


Rev. No.	Revision Note	Date	By	Checked
A24	CAPACITOR VIEW UPDATED	11-MAR-15	CG	AH
A25	DIMENSIONS CLARIFIED	13-MAY-16	AH	CG



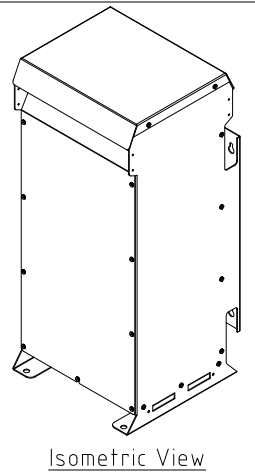
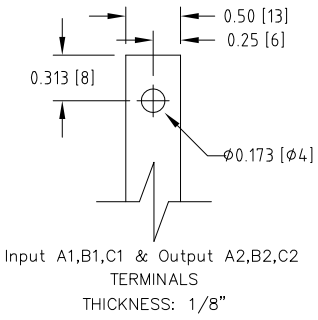
TWO  
AWG#6-14  
GROUND LUGS

### Connection Diagram

UNIT SPECIFICATIONS				INPUT	OUTPUT	APPROX. WT
HP [kW]	PHASE	VOLTS	Hz	AMPS	kW	lb [kg]
40 [30]	3	600	60	37	34	155 [70]

NOTES:

- Customer is responsible for installation to meet all national and local electrical codes and other applicable electrical safety authorities.
- Type 3R Enclosure requires only front access but minimum 6" clearance should be provided at rear for proper ventilation..



## MIRUS International Inc.

31 Sun Pac Boulevard, Brampton, ON, Canada L6S 5P6  
Tel:(905) 494-1120 Fax: (905) 494-1140 Toll Free: 1-888-TO MIRUS

Unless otherwise specified, dimensions are in inches and [mm].	Drawn By WXY	Date Created 20-OCT-09	Checked by YM	Approved by - date YM-20-OCT-09	Scale NTS
The information contained herein is the sole property of MIRUS International Inc. Any form of reproduction, distribution and/or disclosure of this information, all or in part, is strictly prohibited without the express written consent of MIRUS International Inc.			Title <b>40 HP, 600 V, 60 Hz LINEATOR™ AUHF (Type-3R)</b>		
			Filename AUHF-40-600-60-D-E1-A25	Revision A25	Sheet 1/1