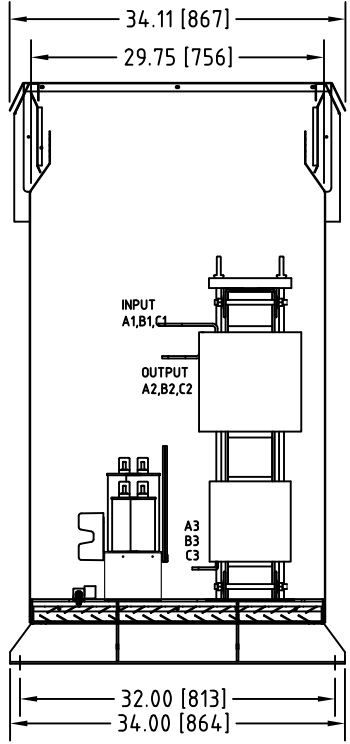
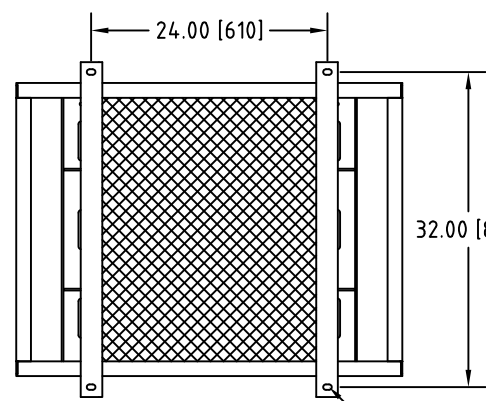


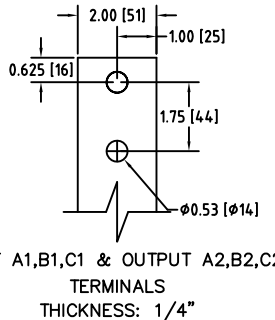
Front View



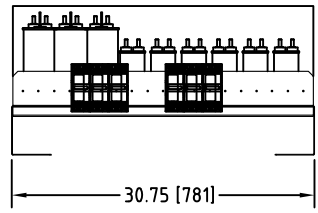
Side View



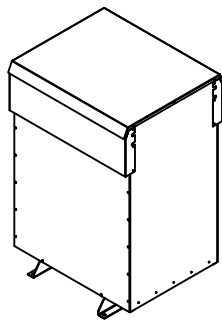
Bottom View



INPUT A1,B1,C1 & OUTPUT A2,B2,C2
TERMINALS
THICKNESS: 1/4"



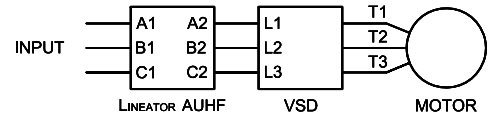
CAPACITOR BOARD



Isometric View

Rev. No.	Revision Note	Date	By	Checked
A15	REVISED CAPACITOR BRACKET	17-JUN-15	AH	CG
A16	REVISED R1 TERMINALS	25-NOV-15	CG	AH

Connection Diagram



UNIT SPECIFICATIONS				INPUT	OUTPUT	APPROX. WT
HP [kW]	PHASE	VOLTS	Hz	AMPS	kW	lb [kg]
400 [315]	3	480	60	470	349	1031 (467)

- NOTES:
- Customer is responsible for installation to meet all national and local electrical codes and other applicable electrical safety authorities.
 - Type 3R Enhanced enclosure suitable for outdoor installation. Only front access is required but minimum 6" clearance should be provided at rear for proper ventilation.

MIRUS International Inc. 31 Sun Pac Boulevard, Brampton, ON, Canada L6S 5P6
Tel: (905) 494-1120 Fax: (905) 494-1140 Toll Free: 1-888-TO MIRUS

Unless otherwise specified, dimensions are in inches and [mm].	Drawn By BW	Date Created 03-Dec-07	Checked by YM	Approved by - date YM-03-Dec-07	Scale NTS
The information contained herein is the sole property of MIRUS International Inc. Any form of reproduction, distribution and/or disclosure of this information, all or in part, is strictly prohibited without the express written consent of MIRUS International Inc.			Title 400 HP, 480 V, 60 Hz LINEATOR™ AUHF (Type-3R Enh.)		
Filename AUHF-400-480-60-D-E1E-A16			Revision A16	Sheet 1/1	