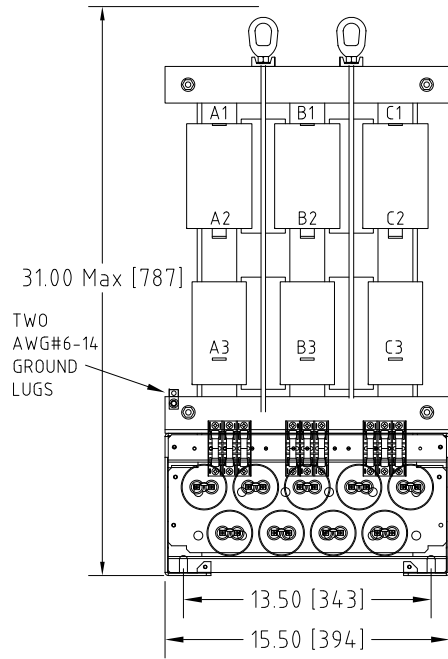
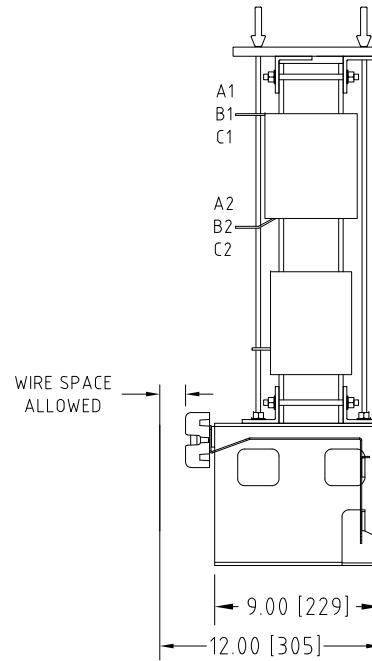


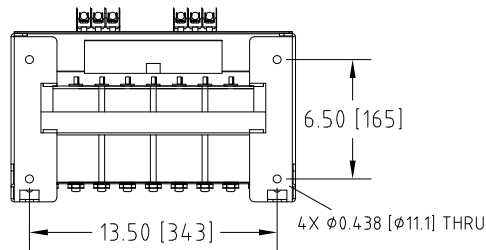
Rev. No.	Revision Note	Date	By	Checked
A1	CHANGED ENHANCED ENCLOSURE TO SU4	30-NOV-2015	CG	AH



Front View

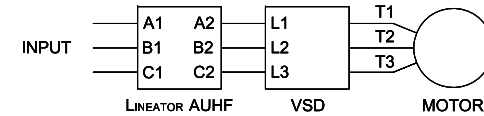


Side View



Bottom View

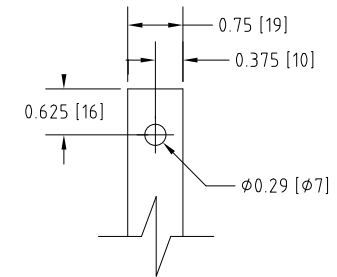
### Connection Diagram



UNIT SPECIFICATIONS				INPUT	OUTPUT	APPROX. WT
HP [kW]	PHASE	VOLTS	Hz	AMPS	kW	lb [kg]
50 [37.5]	3	208	60	131	42	220 [100]

**NOTES:**

- CUSTOMER IS RESPONSIBLE FOR INSTALLATION TO MEET ALL NATIONAL AND LOCAL ELECTRICAL CODES AND OTHER APPLICABLE ELECTRICAL SAFETY AUTHORITIES.
- CUSTOMER IS RESPONSIBLE FOR PROPER COOLING OF FILTER COMPONENTS. ALLOWED AMBIENT: MAXIMUM 60°C, MINIMUM -40°C. A MINIMUM CLEARANCE OF 2" MUST BE ALLOWED ON BOTH RIGHT AND LEFT SIDES. PROPER VENTILATION MUST ENSURE THAT SUPPLY AIR FLOWS THROUGH THE REACTOR COILS FROM BELOW THE UNIT.



Input A1,B1,C1 & Output A2,B2,C2  
TERMINALS  
THICKNESS 3/16"

<b>MIRUS International Inc.</b>		31 Sun Pac Boulevard, Brampton, ON, Canada L6S 5P6 Tel:(905) 494-1120 Fax: (905) 494-1140 Toll Free: 1-888-TO MIRUS				
Unless otherwise specified, dimensions are in inches and [mm].	Drawn By BDK	Date Created 20-JUL-11	Checked by YM	Approved by - date YM-20-JUL-11	Scale NTS	
The information contained herein is the sole property of MIRUS International Inc. Any form of reproduction, distribution and/or disclosure of this information, all or in part, is strictly prohibited without the express written consent of MIRUS International Inc.		Title 50 HP, 208 V, 60 Hz LINEATOR™ AUHF (Open Style)			Revision A1	Sheet 1/1
		Filename AUHF-50-208-60-D-E0-A1				