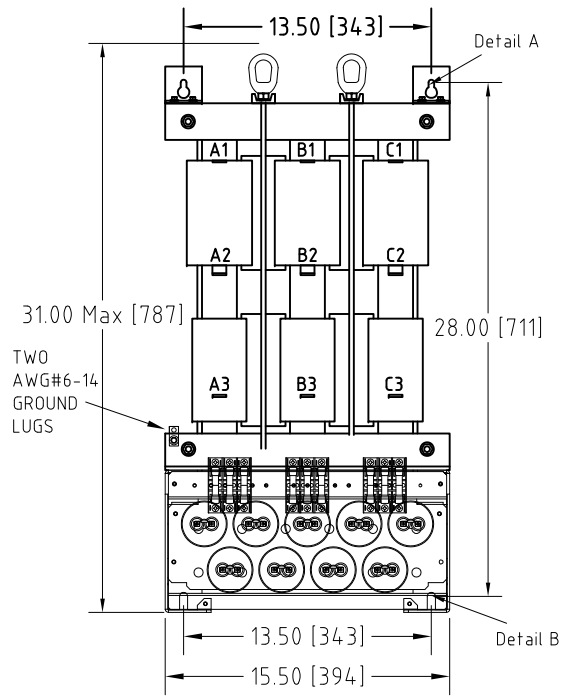
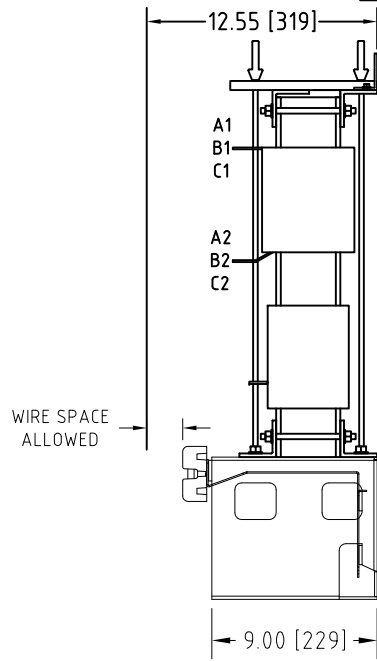


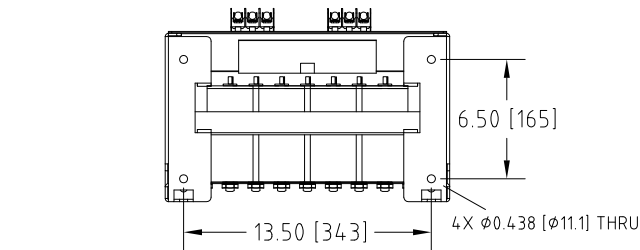
| Rev. No. | Revision Note | Date | By | Checked |
|----------|-----------------------------------|-------------|----|---------|
| A1 | CHANGED ENHANCED ENCLOSURE TO SU4 | 30-NOV-2015 | CG | AH |



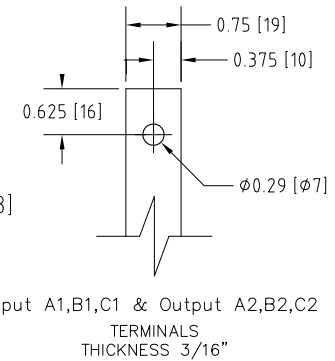
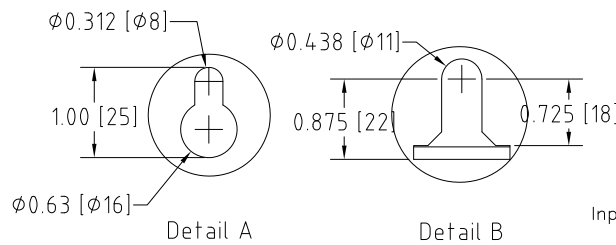
Front View



Side View



Bottom View



Input A1,B1,C1 & Output A2,B2,C2
TERMINALS
THICKNESS 3/16"

Connection Diagram

| UNIT SPECIFICATIONS | | | | INPUT | OUTPUT | APPROX. WT |
|---------------------|-------|-------|----|-------|--------|------------|
| HP [kW] | PHASE | VOLTS | Hz | AMPS | kW | lb [kg] |
| 50 [37.5] | 3 | 208 | 60 | 131 | 42 | 220 [100] |

NOTES:
 1. CUSTOMER IS RESPONSIBLE FOR INSTALLATION TO MEET ALL NATIONAL AND LOCAL ELECTRICAL CODES AND OTHER APPLICABLE ELECTRICAL SAFETY AUTHORITIES.
 2. CUSTOMER IS RESPONSIBLE FOR PROPER COOLING OF FILTER COMPONENTS. ALLOWED AMBIENT: MAXIMUM 60°C, MINIMUM -40°C. A MINIMUM CLEARANCE OF 2" MUST BE ALLOWED ON BOTH RIGHT AND LEFT SIDES. PROPER VENTILATION MUST ENSURE THAT SUPPLY AIR FLOWS THROUGH THE REACTOR COILS FROM BELOW THE UNIT.

MIRUS International Inc.

31 Sun Pac Boulevard, Brampton, ON, Canada L6S 5P6
 Tel: (905) 494-1120 Fax: (905) 494-1140 Toll Free: 1-888-TO MIRUS

| | | | | | |
|--|-----------------|---------------------------|--|------------------------------------|--------------|
| Unless otherwise specified, dimensions are in inches and [mm]. | Drawn By BDK | Date Created 20-JUL-11 | Checked by YM | Approved by - date YM-20-JUL-11 | Scale NTS |
| The information contained herein is the sole property of MIRUS International Inc. Any form of reproduction, distribution and/or disclosure of this information, all or in part, is strictly prohibited without the express written consent of MIRUS International Inc. | | | Title 50 HP, 208 V, 60 Hz LINEATOR™ AUHF (Panel Mount) | | |
| | | | Filename AUHF-50-208-60-D-E0P-A1 | Revision A1 | Sheet 1/1 |