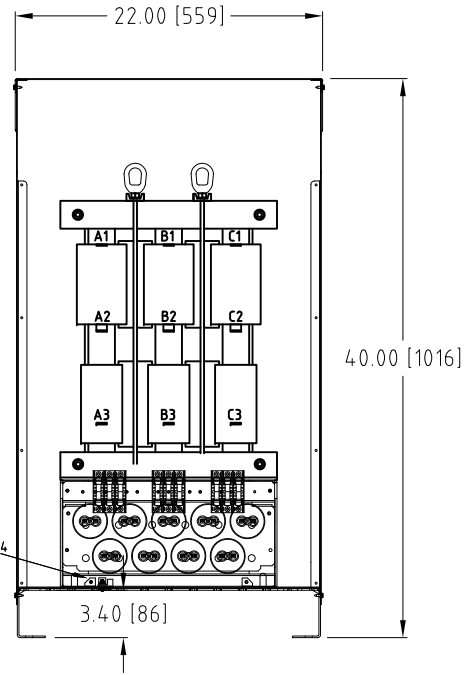
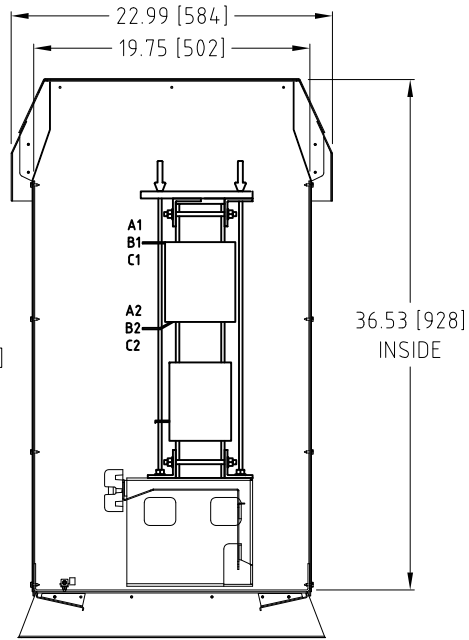


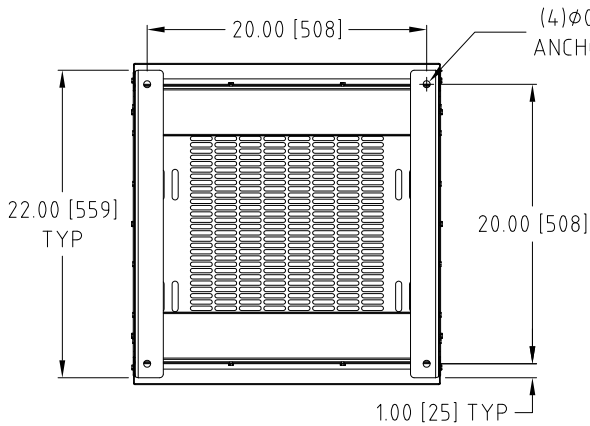
Rev. No.	Revision Note	Date	By	Checked
A1	CHANGED ENHANCED ENCLOSURE TO SU4	30-NOV-2015	CG	AH



Front View

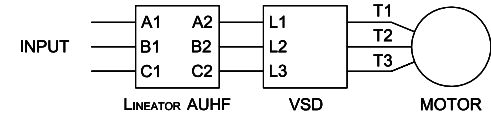


Side View



Bottom View

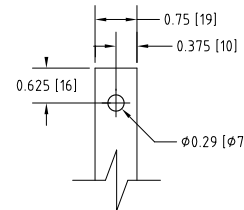
### Connection Diagram



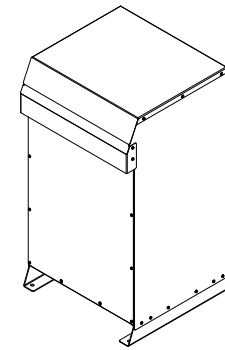
UNIT SPECIFICATIONS				INPUT	OUTPUT	APPROX. WT
HP [kW]	PHASE	VOLTS	Hz	AMPS	kW	lb [kg]
50 [37.5]	3	208	60	131	42	260 [118]

#### NOTES:

- Customer is responsible for installation to meet all national and local electrical codes and other applicable electrical safety authorities.
- Type 3R Enhanced enclosure suitable for outdoor installation.
- Only front access is required but when floor mounting a minimum of 6" clearance should be provided at rear for proper ventilation.



Input A1,B1,C1 & Output A2,B2,C2  
TERMINALS  
THICKNESS 3/16"



Isometric View

<b>MIRUS International Inc.</b>		31 Sun Pac Boulevard, Brampton, ON, Canada L6S 5P6 Tel:(905) 494-1120 Fax: (905) 494-1140 Toll Free: 1-888-TO MIRUS			
Unless otherwise specified, dimensions are in inches and [mm].	Drawn By BDK	Date Created 20-JUL-11	Checked by YM	Approved by - date YM-20-JUL-11	Scale NTS
The information contained herein is the sole property of MIRUS International Inc. Any form of reproduction, distribution and/or disclosure of this information, all or in part, is strictly prohibited without the express written consent of MIRUS International Inc.		Title 50 HP, 208 V, 60 Hz LINEATOR™ AUHF (Type-3R Enh.)			
		Filename AUHF-50-208-60-D-E1E-A1	Revision A1	Sheet 1/1	