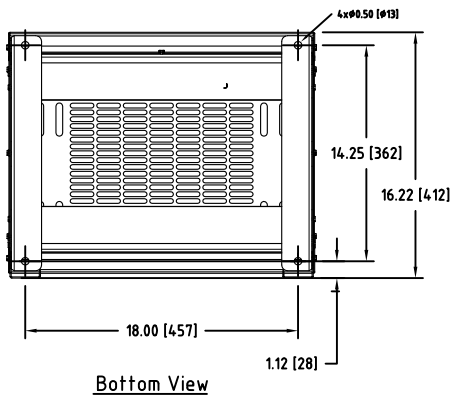
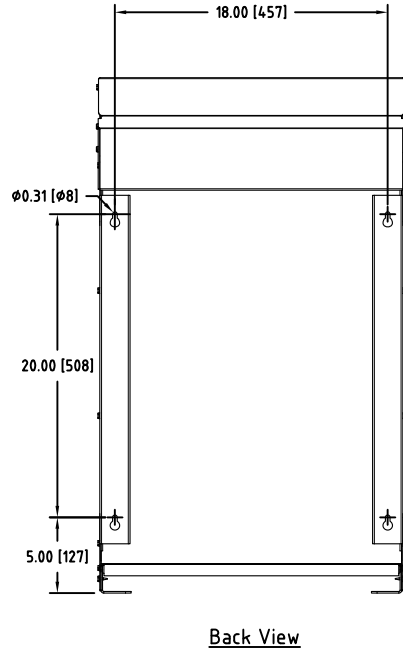
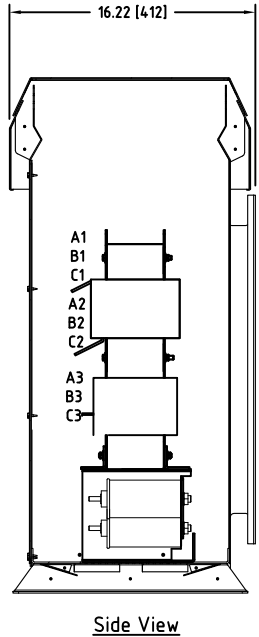
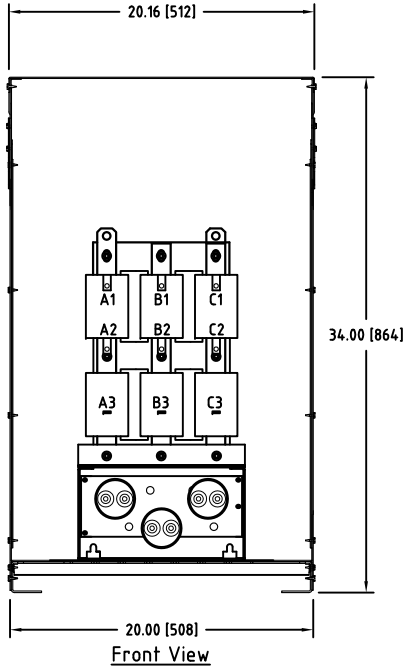


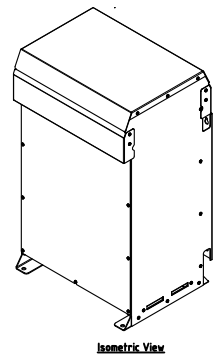
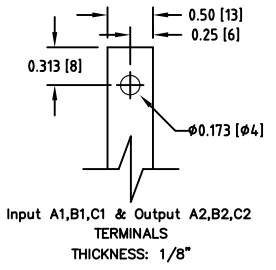
Rev. No.	Revision Note	Date	By	Checked
A24	REMOVED ENHANCED ENCLOSURE UNISTRUT ADAPTER BRACKET	10-NOV-15	CG	AH
A25	REVISED TITLE BLOCK	02-APR-2020	CG	BDK



### Connection Diagram

UNIT SPECIFICATIONS				INPUT	OUTPUT	APPROX. WT
HP [kW]	PHASE	VOLTS	Hz	AMPS	kW	lb [kg]
50 [37.28]	3	480	60	57	42	222 [101]

NOTES:  
 1. Customer is responsible for installation to meet all national and local electrical codes and other applicable electrical safety authorities.  
 2. Customer is responsible for proper cooling of filter components. Allowed ambient: Maximum 60°C, Minimum -40°C. A minimum clearance of 2 inches must be allowed on both right and left sides.



<b>MIRUS International Inc.</b>		31 Sun Pac Boulevard, Brampton, ON, Canada L6S 5P6 Tel: (905) 494-1120 Fax: (905) 494-1140 Toll Free: 1-888-TO MIRUS			
		Unless otherwise specified, dimensions are in inches and [mm].	Drawn By JH	Date Created 25-Oct-05	Checked by YM
The information contained herein is the sole property of MIRUS International Inc. Any form of reproduction, distribution and/or disclosure of this information, all or in part, is strictly prohibited without the express written consent of MIRUS International Inc.		Title 50 HP, 480 V, 60 Hz LINEATOR AUHF (Nema-3R Enh.)			
		Filename AUHF-50-480-60-D-E1E-A25		Revision A25	Sheet 1/1