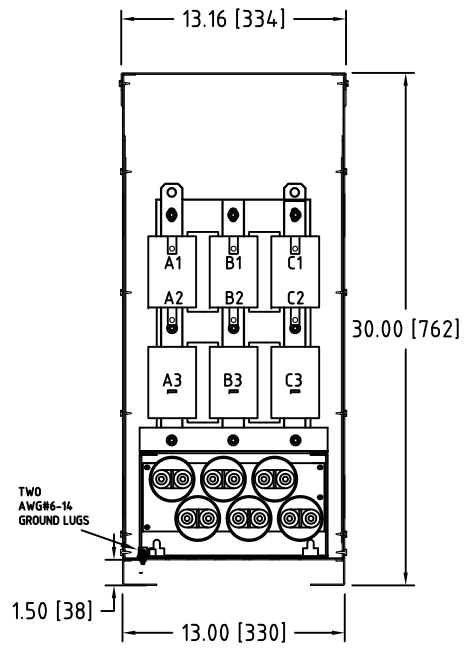
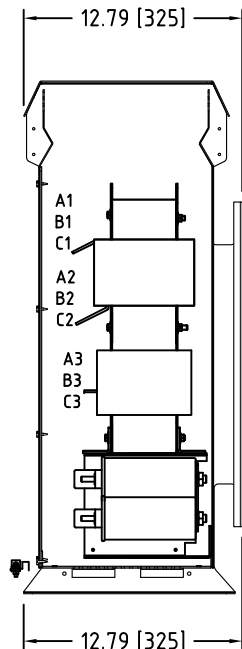


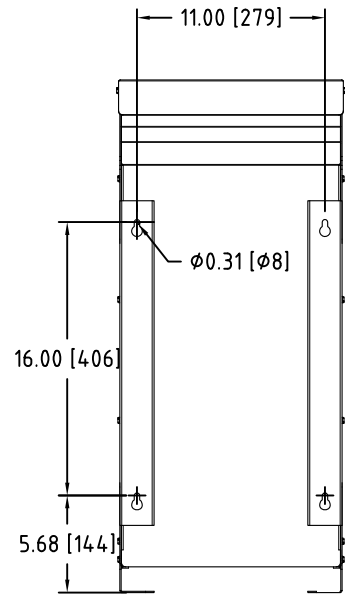
Rev. No.	Revision Note	Date	By	Checked
A23	REVISED CAPACITORS	13-FEB-15	CG	AH
A24	REMOVED ENHANCED ENCLOSURE UNISTRUT ADAPTER BRACKET	10-NOV-15	CG	AH



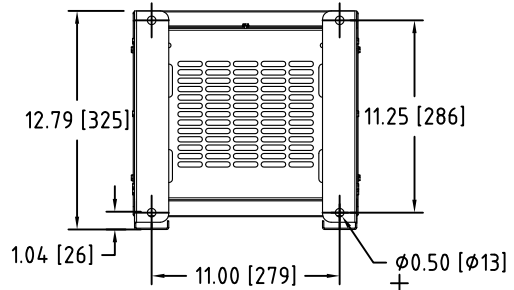
Front View



Side View

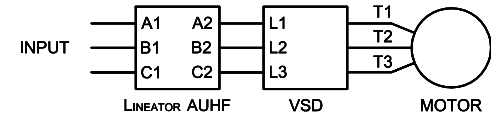


Back View



Bottom View

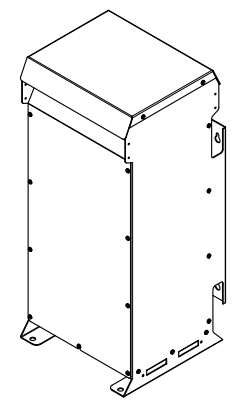
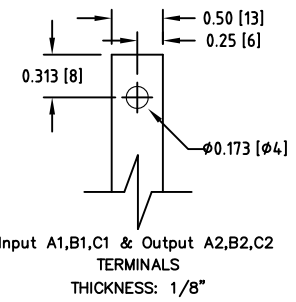
Connection Diagram



UNIT SPECIFICATIONS				INPUT	OUTPUT	APPROX. WT
HP [kW]	PHASE	VOLTS	Hz	AMPS	kW	lb [kg]
50 [37.5]	3	600	60	4.5	4.2	193 [88]

NOTES:

- Customer is responsible for installation to meet all national and local electrical codes and other applicable electrical safety authorities.
- Type 3R Enclosure requires only front access but minimum 6" clearance should be provided at rear for proper ventilation.



Isometric View

MIRUS International Inc. 31 Sun Pac Boulevard, Brampton, ON, Canada L6S 5P6
Tel:(905) 494-1120 Fax: (905) 494-1140 Toll Free: 1-888-TO MIRUS

Unless otherwise specified, dimensions are in inches and [mm].	Drawn By WXY	Date Created 20-NOV-09	Checked by YM	Approved by - date YM-20-NOV-09	Scale NTS
The information contained herein is the sole property of MIRUS International Inc. Any form of reproduction, distribution and/or disclosure of this information, all or in part, is strictly prohibited without the express written consent of MIRUS International Inc.			Title 50 HP, 600 V, 60 Hz LINEATOR™ AUHF (Type-3R)		
			Filename AUHF-50-600-60-D-E1-A24	Revision A24	Sheet 1/1