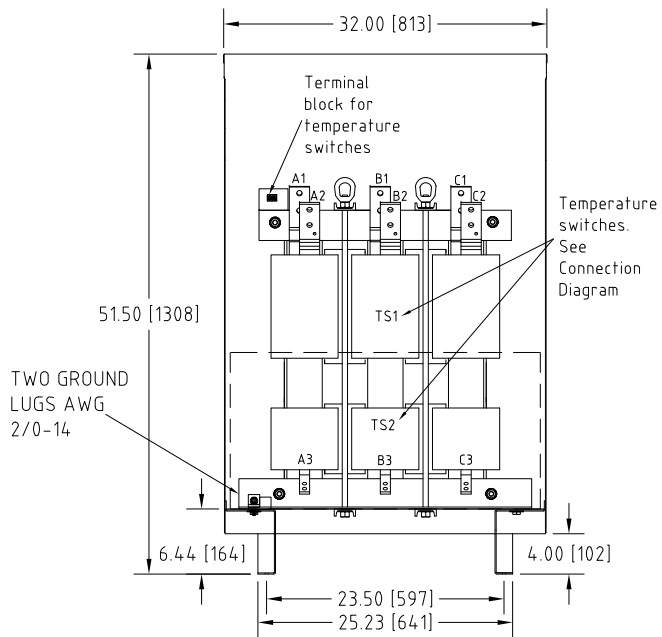
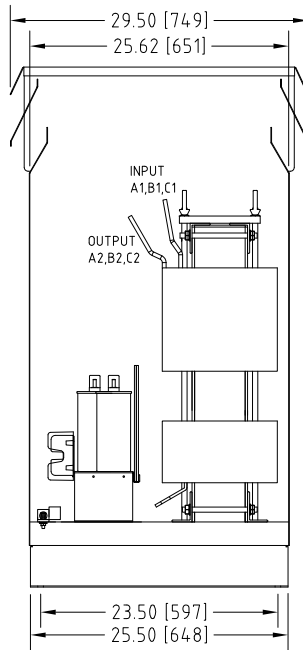


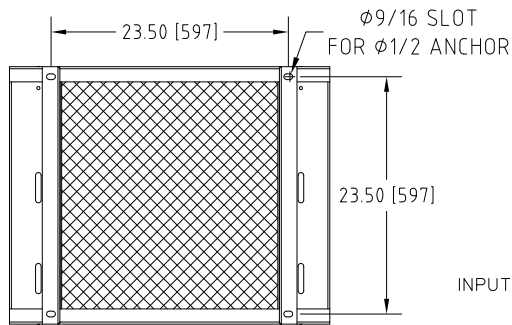
Rev. No.	Revision Note	Date	By	Checked
A14	REVISED R1 TERMINALS	25-NOV-2015	CG	AH
A15	REVISED R1 TERMINALS	09-MAY-2017	CG	YM



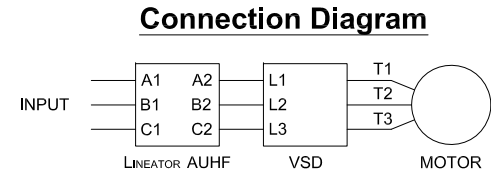
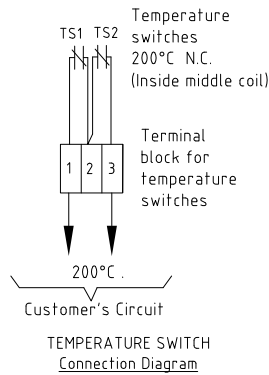
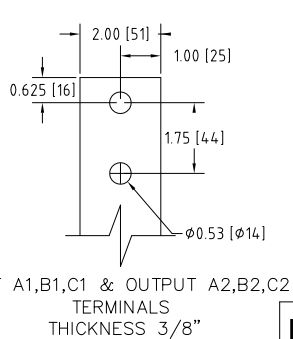
Front View



Side View



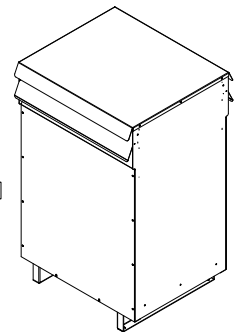
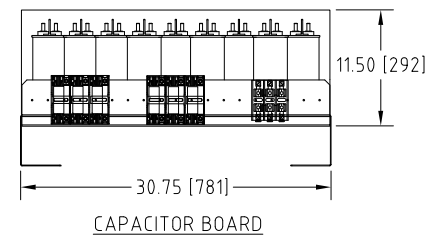
Bottom View



UNIT SPECIFICATIONS			INPUT	OUTPUT	APPROX. WT,
HP (kW)	PHASE	VOLTS	AMPS	kW	lb (kg)
500 (400)	3	480	595	443	1125 (511)

NOTES:

- Customer is responsible for installation to meet all national and local electrical codes and other applicable electrical safety authorities.
- Type 3R Enclosure requires only front access but minimum 6" clearance should be provided at rear for proper ventilation.



Isometric View

**MIRUS International Inc.**

31 Sun Pac Boulevard, Brampton, ON, Canada L6S 5P6  
Tel:(905) 494-1120 Fax: (905) 494-1140 Toll Free: 1-888-TO MIRUS

Unless otherwise specified, dimensions are in inches and [mm].	Drawn by BDK	Date 18-JAN-11	Checked by YD	Approved by - date YD - 18-JAN-11	Scale NTS
The information contained herein is the sole property of MIRUS International Inc. Any form of reproduction, distribution and/or disclosure of this information, all or in part, is strictly prohibited without the express written consent of MIRUS International Inc.		Title 500 HP, 480V, 60Hz Enclosure Style Lineator AUHF			
		Filename AUHF-500-480-60-D-E1-A15	Revision A15	Sheet 1/1	