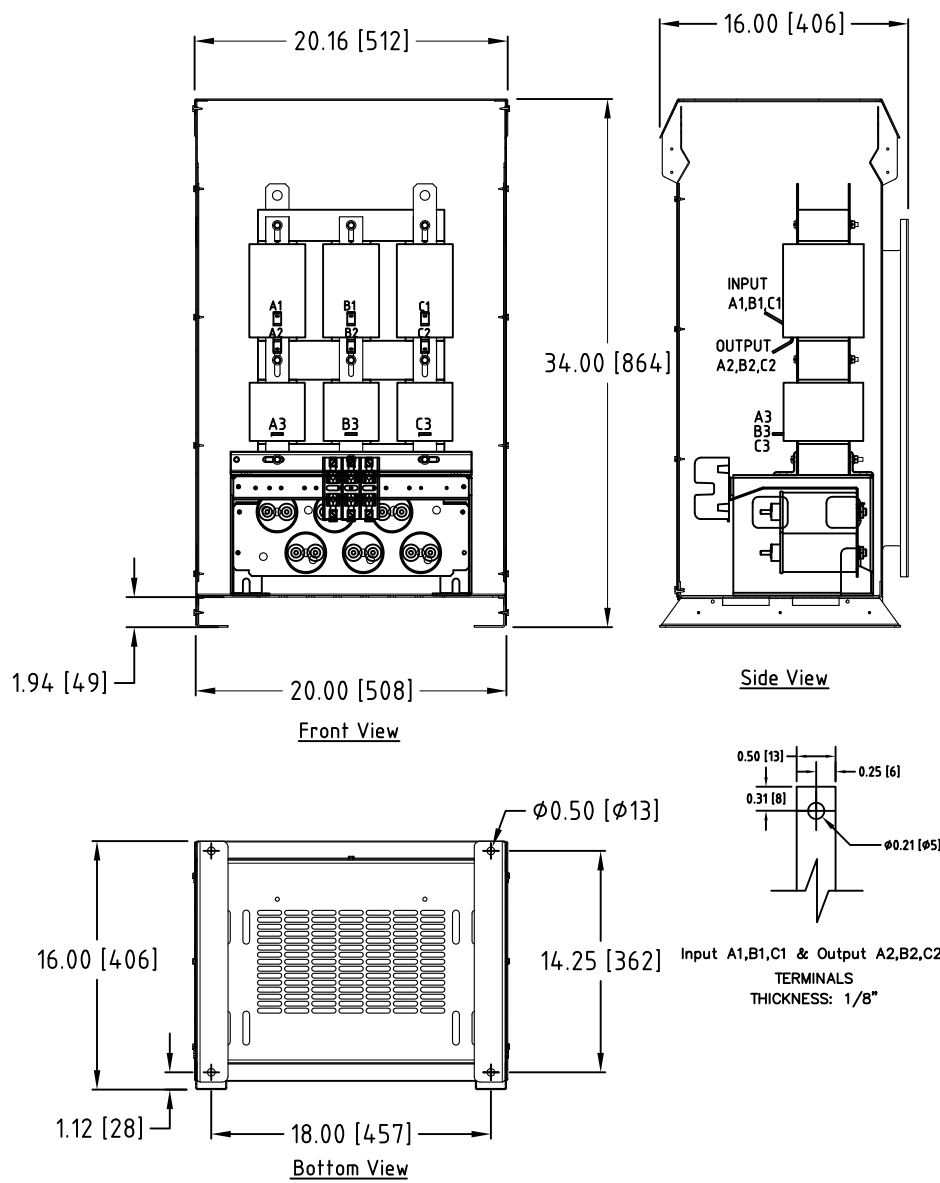
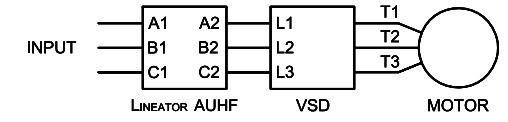


Rev. No.	Revision Note	Date	By	Checked
A26	REVISED TO PRESSURE PLATE STYLE	29-MAR-2018	CG	BDK
A27	REVISED TERMINAL DIMENSIONS	20-APR-2018	CG	BDK



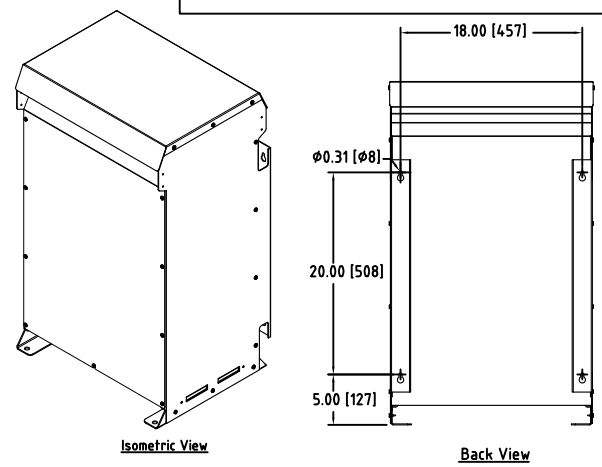
Connection Diagram



UNIT SPECIFICATIONS				INPUT	OUTPUT	APPROX. WT
HP [kW]	PHASE	VOLTS	Hz	AMPS	kW	lb [kg]
60 [45]	3	600	60	55	51	250 [114]

NOTES:

- Customer is responsible for installation to meet all national and local electrical codes and other applicable electrical safety authorities.
- Type 3R Enclosure requires only front access but minimum 6" clearance should be provided at rear for proper ventilation..



MIRUS International Inc.		31 Sun Pac Boulevard, Brampton, ON, Canada L6S 5P6 Tel: (905) 494-1120 Fax: (905) 494-1140 Toll Free: 1-888-TO MIRUS			
Unless otherwise specified, dimensions are in inches and [mm].	Drawn By WXY	Date Created 20-Oct-09	Checked by YM	Approved by - date YM-20-Oct-09	Scale NTS
The information contained herein is the sole property of MIRUS International Inc. Any form of reproduction, distribution and/or disclosure of this information, all or in part, is strictly prohibited without the express written consent of MIRUS International Inc.		Title 60 HP, 600 V, 60 Hz LINEATOR™ AUHF (Type-3R)			
		Filename AUHF-60-600-60-D-E1-A27	Revision A27	Sheet 1/1	