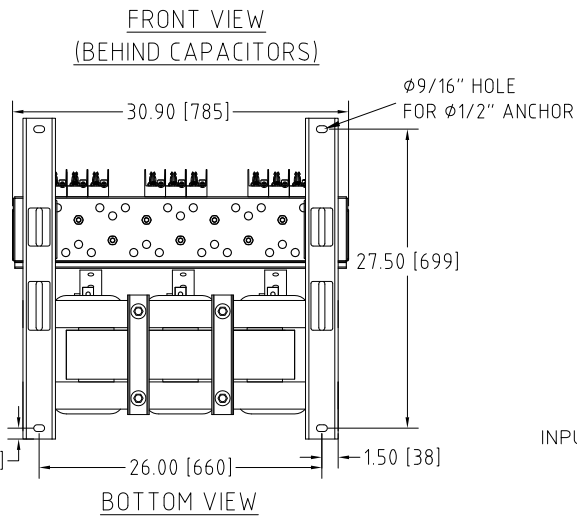
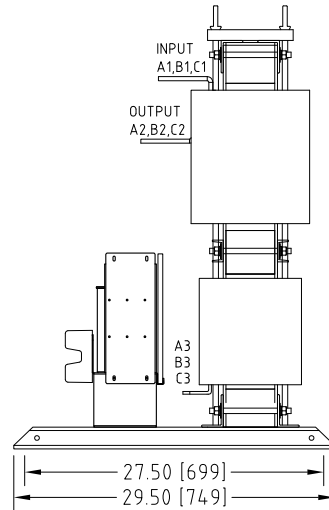
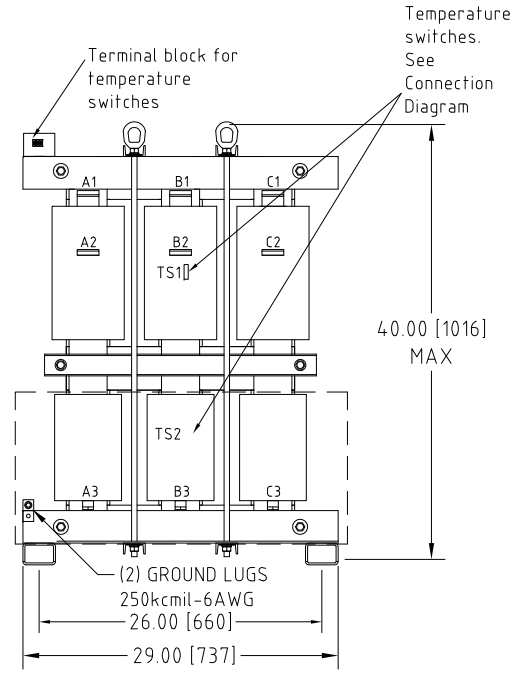
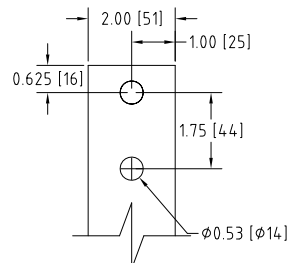


Rev. No.	Revision Note	Date	By	Checked
A11	Base mount Capacitor Board	12-JAN-12	YM	CG
A12	UPDATED CAPACITOR BOARD	27-MAR-2017	CG	YM

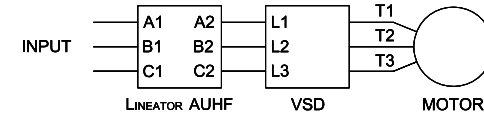


SIDE VIEW



INPUT A1,B1,C1 & OUTPUT A2,B2,C2  
TERMINALS  
THICKNESS 3/8"

### Connection Diagram

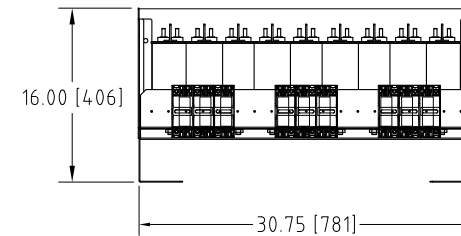


UNIT SPECIFICATIONS				INPUT	OUTPUT	APPROX. WT
HP [kW]	PHASE	VOLTS	Hz	AMPS	kW	lb [kg]
600 [450]	3	480	60	670	499	1120 [508]

#### NOTES:

- CUSTOMER IS RESPONSIBLE FOR INSTALLATION TO MEET ALL NATIONAL AND LOCAL ELECTRICAL CODES AND OTHER APPLICABLE ELECTRICAL SAFETY AUTHORITIES.
- CUSTOMER IS RESPONSIBLE FOR PROPER COOLING OF FILTER COMPONENTS. ALLOWED AMBIENT: MAXIMUM 60°C, MINIMUM -40°C. A MINIMUM CLEARANCE OF 2" MUST BE ENSURED ON BOTH RIGHT AND LEFT SIDES. PROPER VENTILATION MUST ENSURE THAT SUPPLY AIR FLOWS THROUGH THE REACTOR COILS FROM BELOW THE UNIT.

### CAPACITOR BOARD



## MIRUS International Inc.

31 Sun Pac Boulevard, Brampton, ON, Canada L6S 5P6  
Tel:(905) 494-1120 Fax: (905) 494-1140 Toll Free: 1-888-TO MIRUS

Unless otherwise specified, dimensions are in inches and [mm].	Drawn By BW	Date Created 18-OCT-07	Checked by YM	Approved by - date YM-18-OCT-07	Scale NTS
The information contained herein is the sole property of MIRUS International Inc. Any form of reproduction, distribution and/or disclosure of this information, all or in part, is strictly prohibited without the express written consent of MIRUS International Inc.			Title 600 HP, 480 V, 60 Hz LINEATOR™ AUHF (Open Style)		
Filename AUHF-600-480-60-D-E0-A12			Revision A12	Sheet 1/1	