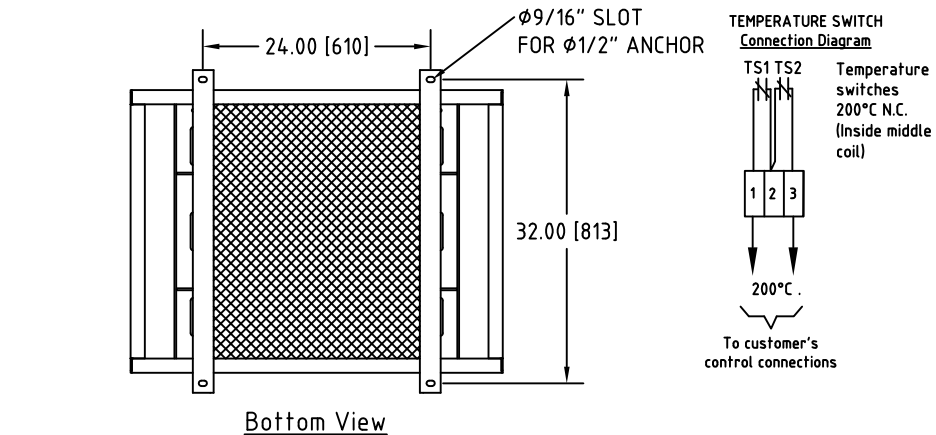
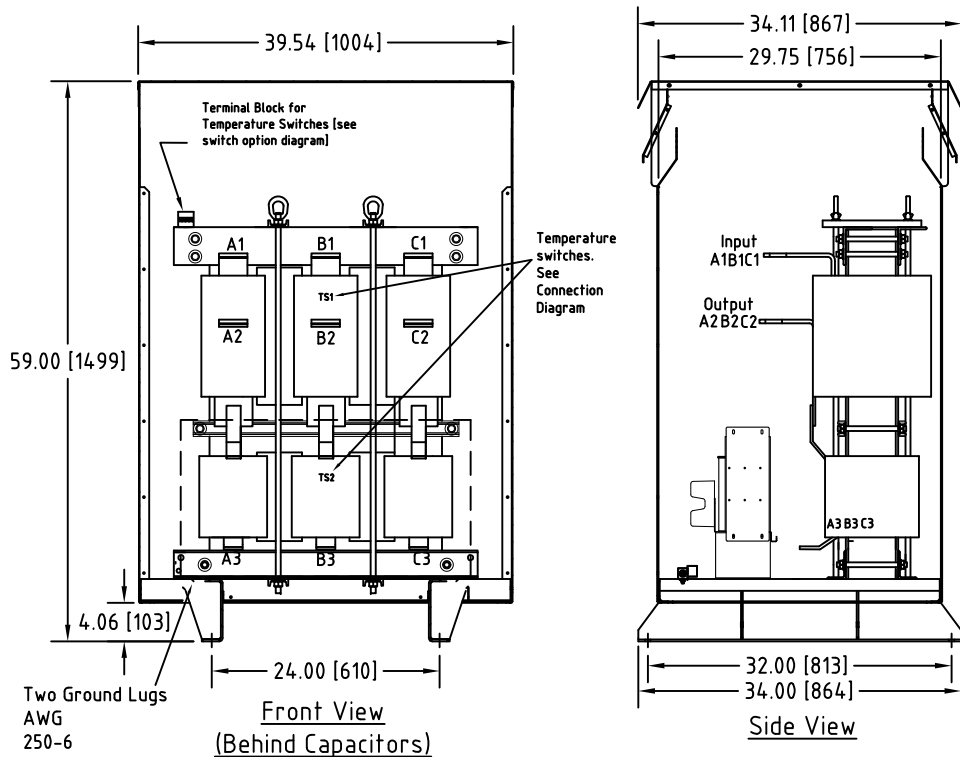
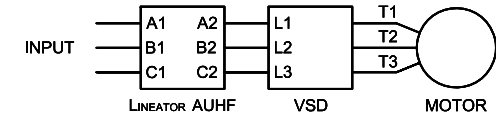


Rev. No.	Revision Note	Date	By	Checked
A14	REVISED E0 BRACKET, CAPACITOR BASE MOUNT BRACKET	23-JUN-2017	CG	AH
A15	REVISED BUSBAR DETAILS	25-OCT-2017	CG	YM



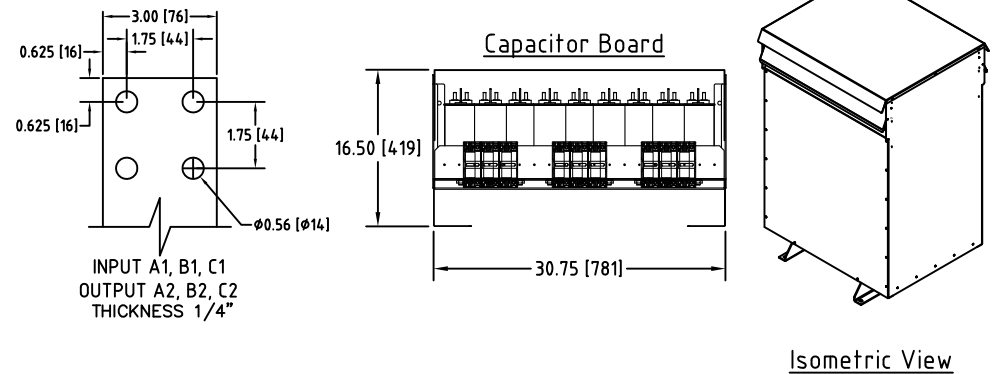
### Connection Diagram



UNIT SPECIFICATIONS				INPUT	OUTPUT	APPROX. WT
HP [kW]	PHASE	VOLTS	Hz	AMPS	kW	lb [kg]
700 [500]	3	480	60	780	579	1700 [771]

#### NOTES:

- Customer is responsible for installation to meet all national and local electrical codes and other applicable electrical safety authorities.
- Type 3R Enclosure requires only front access but minimum 6" clearance should be provided at rear for proper ventilation..



<b>MIRUS International Inc.</b>		31 Sun Pac Boulevard, Brampton, ON, Canada L6S 5P6 Tel:(905) 494-1120 Fax: (905) 494-1140 Toll Free: 1-888-TO MIRUS			
Unless otherwise specified, dimensions are in inches and [mm].	Drawn By EH	Date Created 17-MAY-07	Checked by YM	Approved by - date YM-17-MAY-07	Scale NTS
The information contained herein is the sole property of MIRUS International Inc. Any form of reproduction, distribution and/or disclosure of this information, all or in part, is strictly prohibited without the express written consent of MIRUS International Inc.		Title 700 HP, 480 V, 60 Hz LINEATOR™ AUHF (Type-3R)			
		Filename AUHF-700-480-60-D-E1-A15	Revision A15	Sheet 1/1	