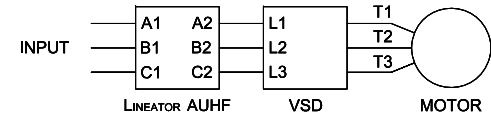


Rev. No.	Revision Note	Date	By	Checked

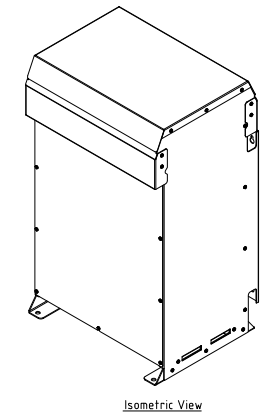
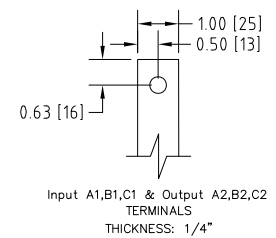
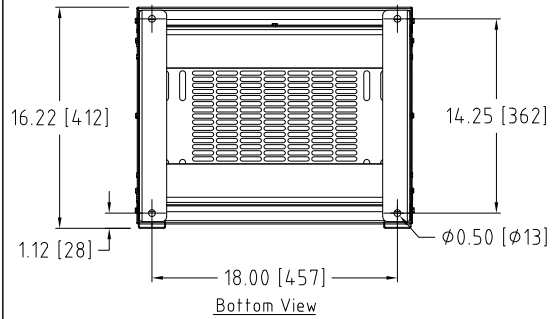
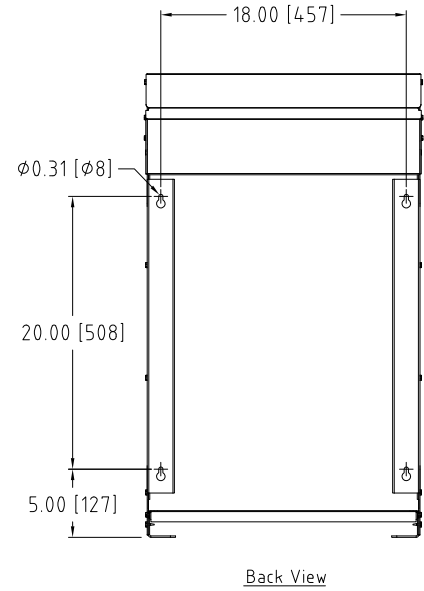
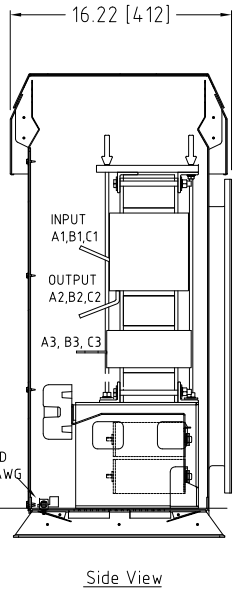
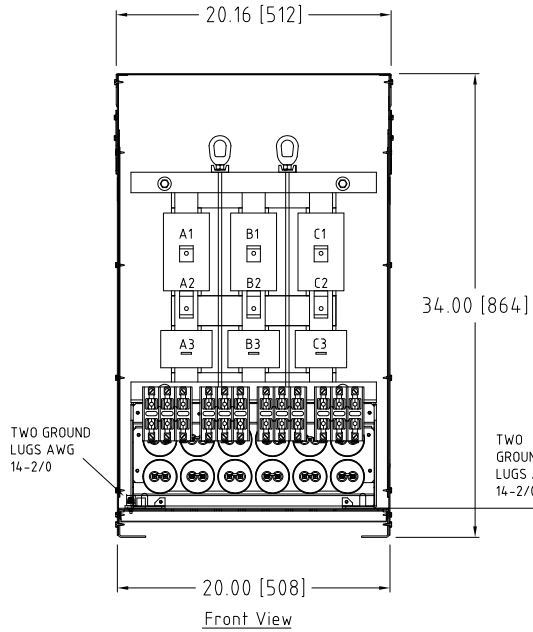
Connection Diagram



UNIT SPECIFICATIONS				INPUT	OUTPUT	APPROX. WT
HP [kW]	PHASE	VOLTS	Hz	AMPS	kW	lb [kg]
75 [55]	3	208	60	196	63	399 [181]

NOTES:

1. Customer is responsible for installation to meet all national and local electrical codes and other applicable electrical safety authorities.
2. Type 3R Enhanced enclosure suitable for outdoor installation.
3. Only front access is required but when floor mounting a minimum of 6" clearance should be provided at rear for proper ventilation.



MIRUS International Inc. 31 Sun Pac Boulevard, Brampton, ON, Canada L6S 5P6
 Tel: (905) 494-1120 Fax: (905) 494-1140 Toll Free: 1-888-TO MIRUS

Unless otherwise specified, dimensions are in inches and [mm].	Drawn By CW	Date Created 05-06-08	Checked by YM	Approved by - date YM-dd-mmm-yy	Scale NTS
The information contained herein is the sole property of MIRUS International Inc. Any form of reproduction, distribution and/or disclosure of this information, all or in part, is strictly prohibited without the express written consent of MIRUS International Inc.			Title 75 HP, 208 V, 60 HZ LINEATOR™ AUHF (Type-3R Enh.)		
			Filename AUHF-75-208-60-D-E1E-A0	Revision A0	Sheet 1/1