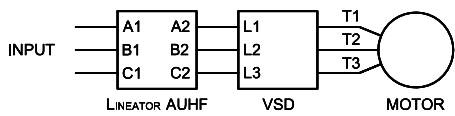


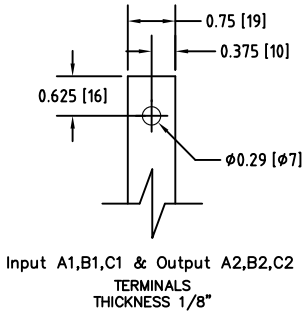
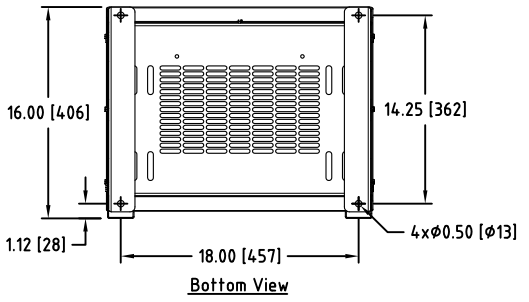
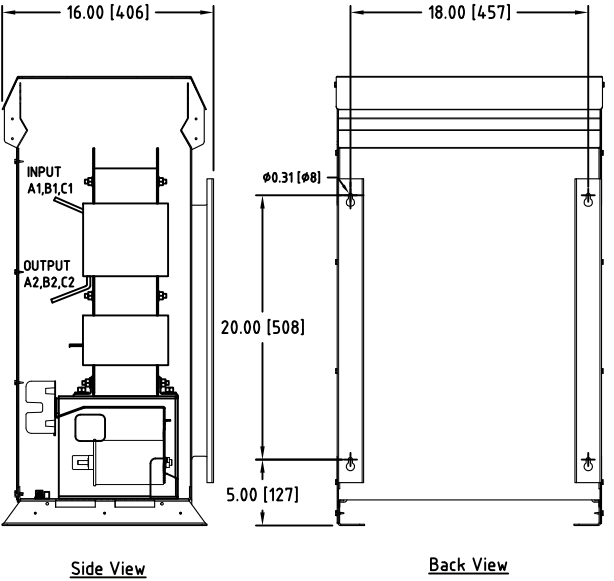
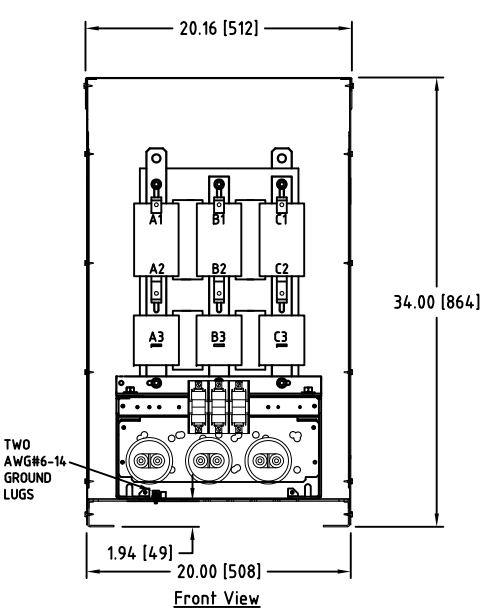
Rev. No.	Revision Note	Date	By	Checked
A17	NEW DESIGN 0012	16-APR-15	YM	CG
A18	CHANGED TO PRESSURE PLATE STYLE	28-MAR-2018	CG	BDK

**Connection Diagram**

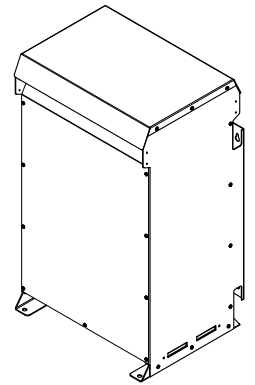


UNIT SPECIFICATIONS				INPUT	OUTPUT	APPROX. WT
HP [kW]	PHASE	VOLTS	Hz	AMPS	kW	lb [kg]
75 [55]	3	480	60	85	63	304 [138]

NOTES:  
 1. Customer is responsible for installation to meet all national and local electrical codes and other applicable electrical safety authorities.  
 2. Type 3R Enclosure requires only front access but minimum 6" clearance should be provided at rear for proper ventilation..



Input A1,B1,C1 & Output A2,B2,C2  
 TERMINALS  
 THICKNESS 1/8"



Isometric View

**MIRUS International Inc.** 31 Sun Pac Boulevard, Brampton, ON, Canada L6S 5P6  
 Tel:(905) 494-1120 Fax: (905) 494-1140 Toll Free: 1-888-TO MIRUS

Unless otherwise specified, dimensions are in inches and [mm].	Drawn By EH	Date Created 02-Jun-06	Checked by YM	Approved by - date YM-02-Jun-06	Scale NTS
The information contained herein is the sole property of MIRUS International Inc. Any form of reproduction, distribution and/or disclosure of this information, all or in part, is strictly prohibited without the express written consent of MIRUS International Inc.		Title 75 HP, 480 V, 60 Hz LINEATOR™ AUHF (Type-3R)		Revision A18	Sheet 1/1
Filename AUHF-75-480-60-D-E1-A18					