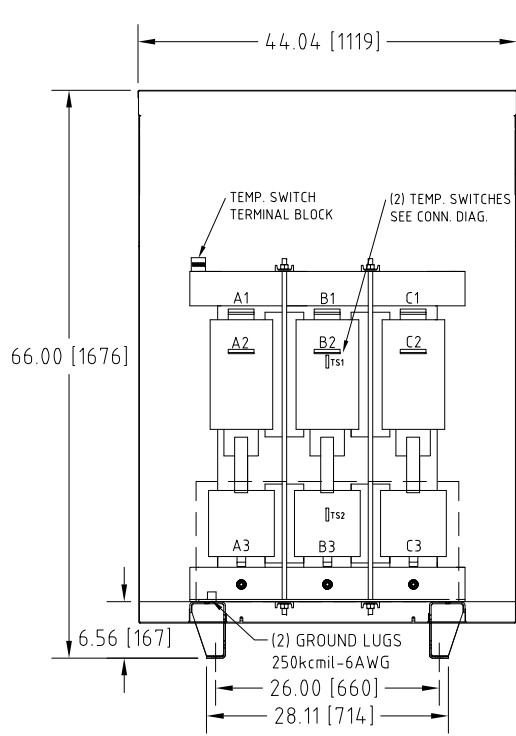
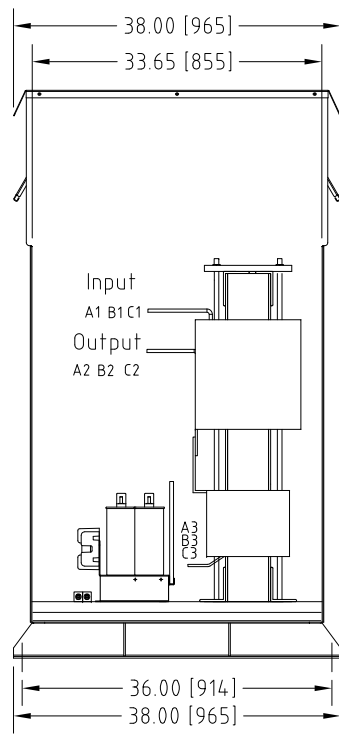


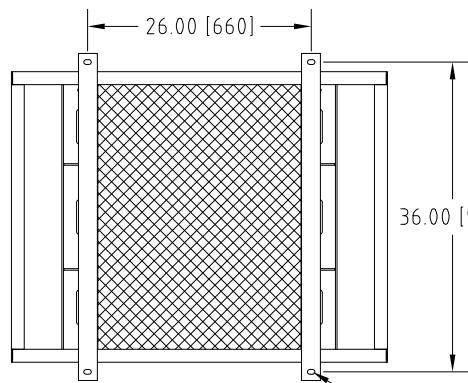
Rev. No.	Revision Note	Date	By	Checked
A17	REVISED E0 FOOT BRACKET	23-JUN-2017	CG	AH
A18	REVISED INPUT AND OUTPUT BUSBARS	08-NOV-2017	CG	AH



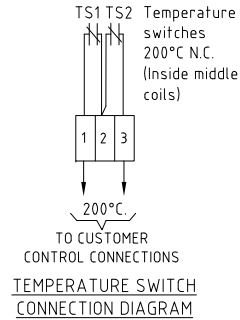
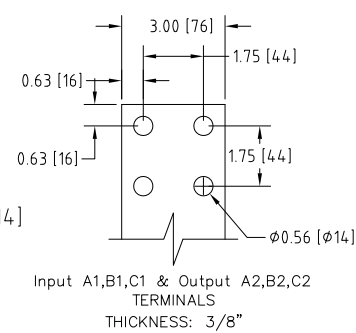
Front View
(Behind Capacitors)



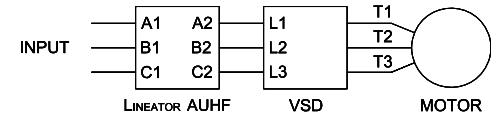
Side View



Bottom View



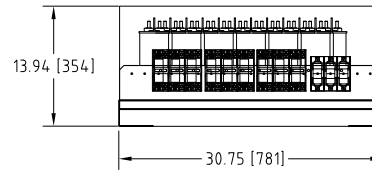
Connection Diagram



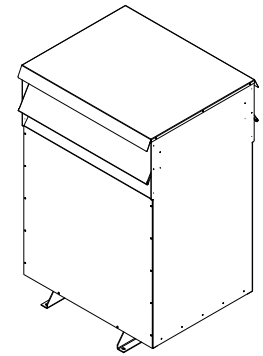
UNIT SPECIFICATIONS				INPUT	OUTPUT	APPROX. WT
HP [kW]	PHASE	VOLTS	Hz	AMPS	kW	lb [kg]
800 [560]	3	480	60	890	662	1850 [839]

NOTES:

- Customer is responsible for installation to meet all national and local electrical codes and other applicable electrical safety authorities.
- Type 3R Enclosure requires only front access but minimum 6" clearance should be provided at rear for proper ventilation..



Capacitor Board



Isometric View

MIRUS International Inc.

6805 Invader Cres., Mississauga, ON, Canada L5T 2K6
Tel:(905) 565-6900 Fax: (905) 565-6911 Toll Free: 1-888-TO MIRUS

Unless otherwise specified, dimensions are in inches and [mm].	Drawn by BW	Date 18-OCT-07	Checked by YM	Approved by - date YM - 18-OCT-07	Scale NTS
The information contained herein is the sole property of MIRUS International Inc. Any form of reproduction, distribution and/or disclosure of this information, all or in part, is strictly prohibited without the express written consent of MIRUS International Inc.		Title 800 HP, 480V, 60Hz Enclosure Style Lineator AUHF			
		Filename AUHF-800-480-60-D-E1-A18	Revision A18	Sheet 1/1	