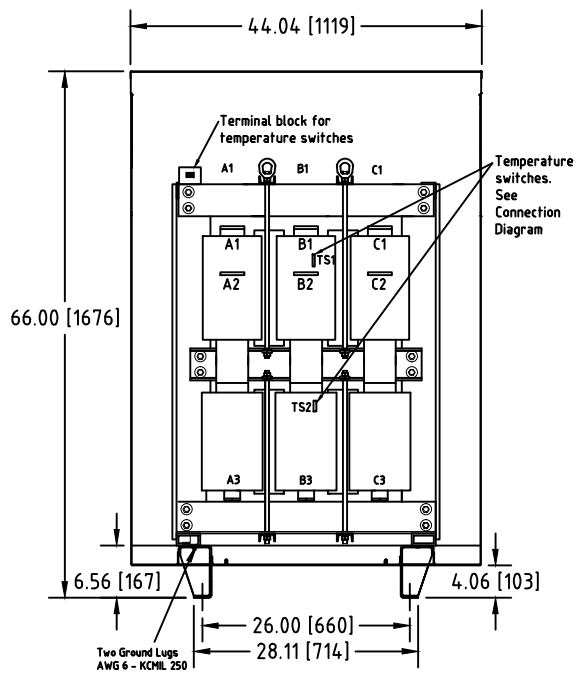
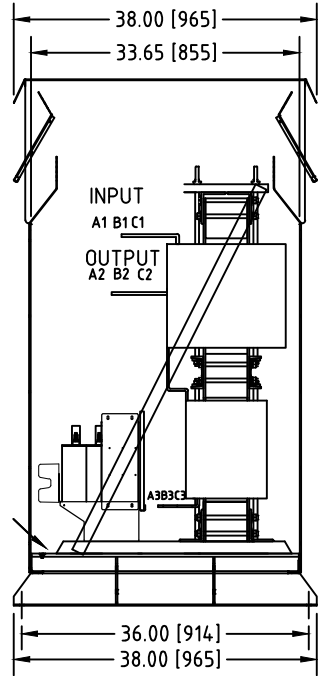


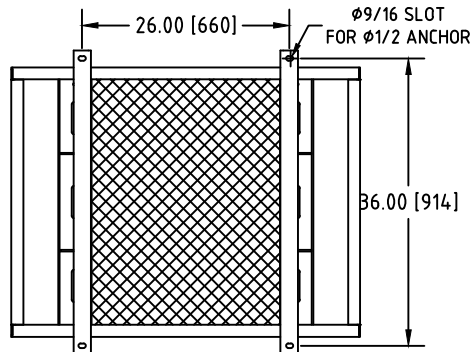
Rev. No.	Revision Note	Date	By	Checked
A5	Capacitors Changed to ASC 620V	28-FEB-13	AH	YM
A6	Revised design	13-NOV-13	YM	YM



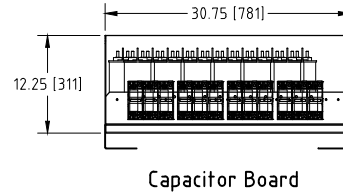
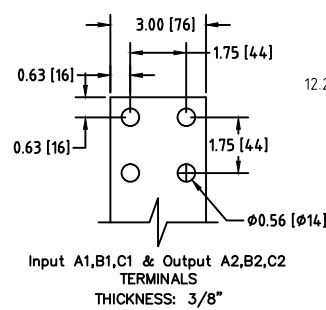
Front View



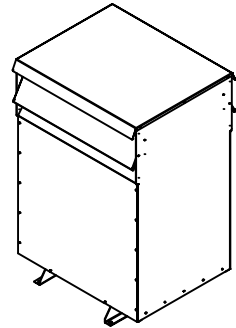
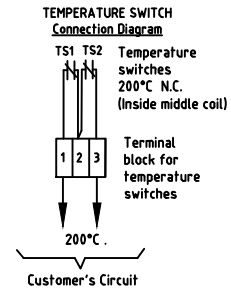
Side View



Bottom View

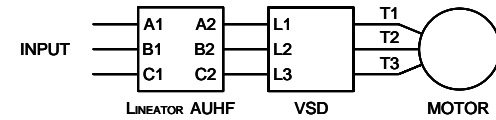


Capacitor Board



Isometric View

Connection Diagram



UNIT SPECIFICATIONS				INPUT	OUTPUT	APPROX. WT
HP [kw]	PHASE	VOLTS	Hz	AMPS	kw	lb [kg]
900 (630)	3	480	60	990	736	1920 (871)

NOTES:

- Customer is responsible for installation to meet all national and local electrical codes and other applicable electrical safety authorities.
- Type 3R Enclosure requires only front access but minimum 6" clearance should be provided at rear for proper ventilation..

MIRUS International Inc.

31 Sun Pac Boulevard, Brampton, ON, Canada L6S 5P6
Tel:(905) 494-1120 Fax: (905) 494-1140 Toll Free: 1-888-TO MIRUS

Unless otherwise specified, dimensions are in inches and [mm].	Drawn by BW	Date 18-OCT-07	Checked by YM	Approved by - date YM - 18-OCT-07	Scale NTS
The information contained herein is the sole property of MIRUS International Inc. Any form of reproduction, distribution and/or disclosure of this information, all or in part, is strictly prohibited without the express written consent of MIRUS International Inc.		Title 900 HP, 480V, 60Hz Enclosure Style Lineator AUHF			Sheet 1/1
Filename AUHF-900-480-60-D-E1-A6			Revision A6		