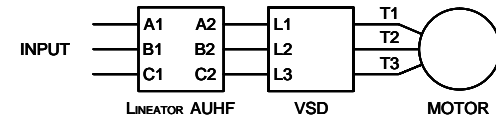


Rev. No.	Revision Note	Date	By	Checked
A5	Capacitors Changed to ASC 620V	28-FEB-13	AH	YM
A6	Revised design	13-NOV-13	YM	YM

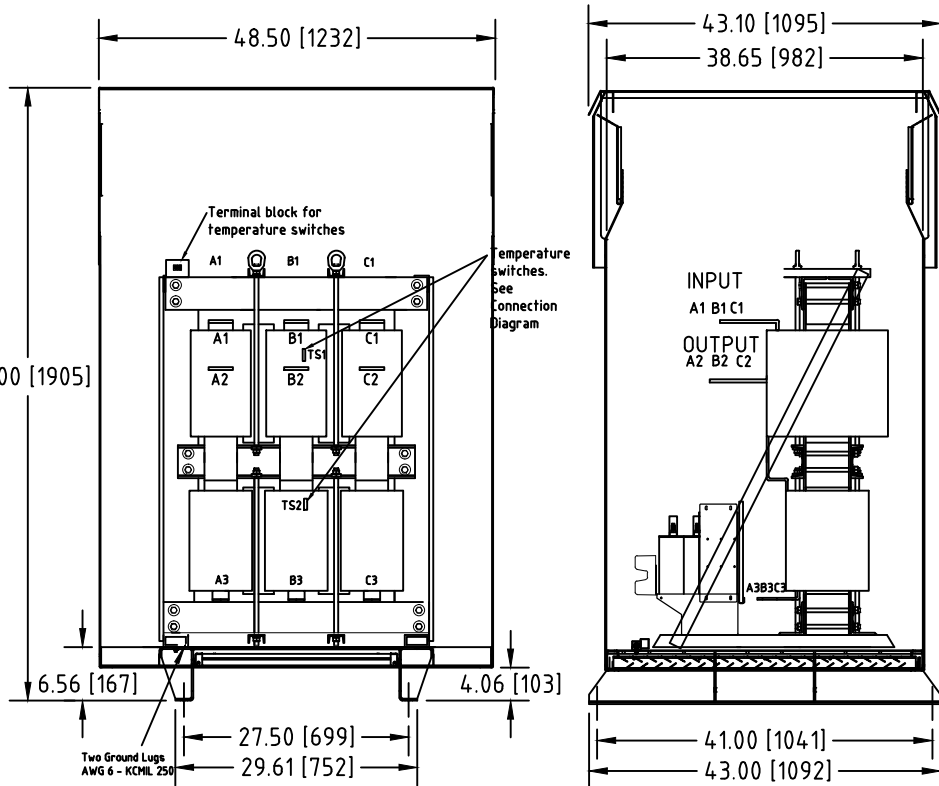
Connection Diagram



UNIT SPECIFICATIONS				INPUT	OUTPUT	APPROX. WT
HP [kW]	PHASE	VOLTS	Hz	AMPS	kW	lb [kg]
900 (630)	3	480	60	990	736	2054 (931)

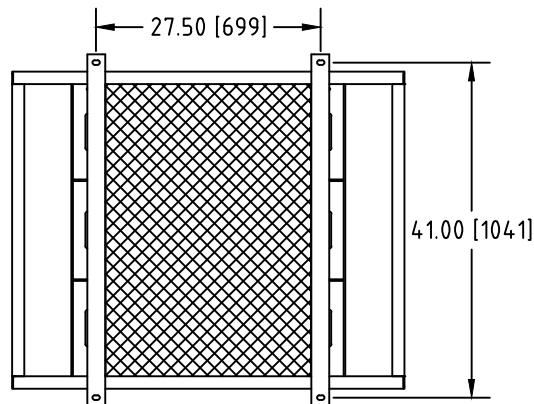
NOTES:

- Customer is responsible for installation to meet all national and local electrical codes and other applicable electrical safety authorities.
- Type 3R Enhanced enclosure suitable for outdoor installation. Only front access is required but minimum 6" clearance should be provided at rear for proper ventilation.

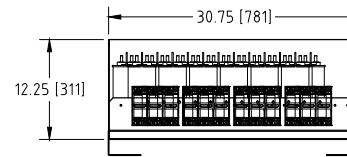
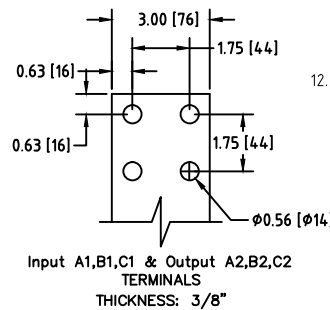


Front View

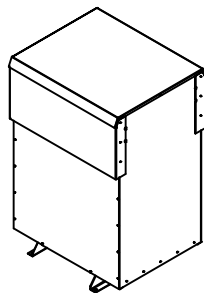
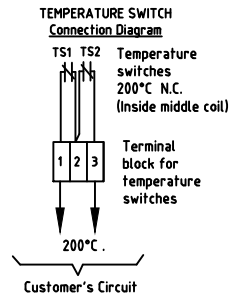
Side View



Bottom View



Capacitor Board



Isometric View

MIRUS International Inc.

31 Sun Pac Boulevard, Brampton, ON, Canada L6S 5P6
Tel: (905) 494-1120 Fax: (905) 494-1140 Toll Free: 1-888-TO MIRUS

Unless otherwise specified, dimensions are in inches and [mm].	Drawn by BW	Date 23-MAR-07	Checked by YM	Approved by - date YM- 23-MAR-07	Scale NTS
The information contained herein is the sole property of MIRUS International Inc. Any form of reproduction, distribution and/or disclosure of this information, all or in part, is strictly prohibited without the express written consent of MIRUS International Inc.		Title 900HP, 480V, 60Hz Enhanced Enclosed Style Lineator AUHF			
Filename AUHF-900-480-60-D-E1E-A6			Revision A6	Sheet 1/1	